

MGT 45M-450M

SYSTEM 4 – SINGLE

METERED 1-1/2" NXT2 SERIES



Standard Image
Equipment appearance may differ.

COMMERCIAL WATER CONDITIONER

INSTALLATION, OPERATION, AND MAINTENANCE MANUAL

COMPLETE FOR FUTURE REFERENCE:

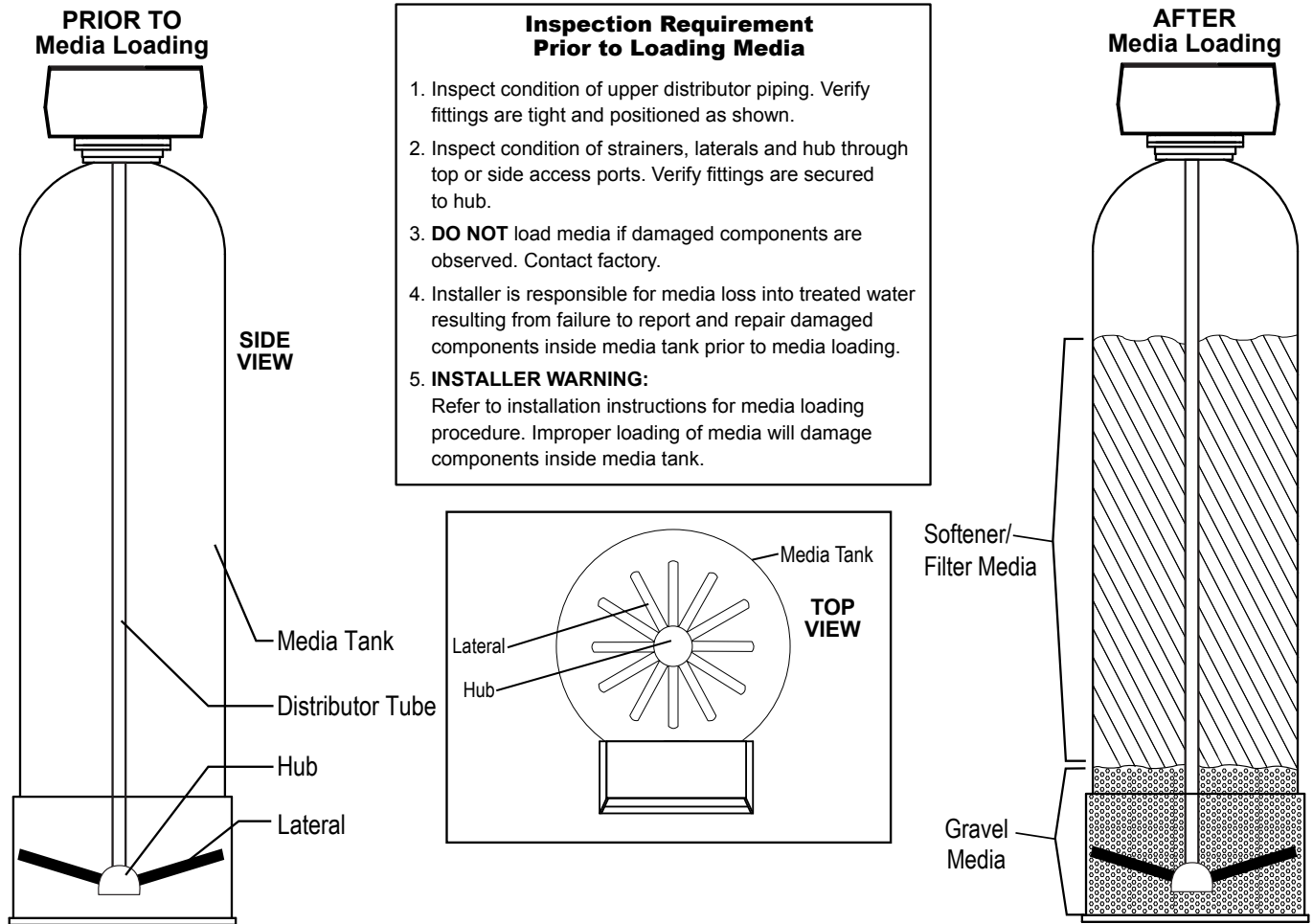
MODEL NO:

SERIAL NO:

DATE INSTALLED:

DEALER:

INSTALLATION WARNING



IMPORTANT PLEASE READ:

- **Warranty of this product extends to manufacturing defects.**
- **The information, specifications and illustrations in this manual are based on the latest information available at the time of printing. The manufacturer reserves the right to make changes at any time without notice.**
- **This product should be installed by a plumbing professional on potable water systems only.**
- **This product must be installed in compliance with all local and state and municipal plumbing and electrical codes. Permits may be required at the time of installation.**

MGT 45M – 450M 1-1/2” SINGLE NXT2

TABLE OF CONTENTS

SYSTEM INFORMATION

Product Warranty.....	1
General Arrangement Drawing	2
Dimension Chart	3
Specification Chart	4

INSTALLATION

General Information.....	5
Loading Softener	6
Mounting Control Valve	6
Brine Tank Installation	7
Mounting The Water Meter Assembly.....	8
Power Supply Installation	9

OPERATION

Timer Display Features	10
Timer Operation.....	11
Start-Up Procedures.....	13
User Programming Flow Chart.....	14
Batch Size Calculations.....	15
Diagnostic Flow Chart	16
Master Programming Flow Chart.....	17
Master Programming Steps.....	19
Flow Diagrams	20

MAINTENANCE

Wiring Diagram	22
Powerhead Assembly	23
NXT2 Timer Assembly.....	25
Control Valve Assembly.....	26
Brine Injector Assemblies	28
Meters and Flow Sensors	32
Brine Tank Assemblies	36
Service Assemblies	39
Troubleshooting.....	40

MGT 45M – 450M 1-1/2” SINGLE NXT2

SYSTEM INFORMATION

COMMERCIAL AND INDUSTRIAL PRODUCT WARRANTY

Manufacturer warrants all water treatment products manufactured and/or distributed by it to be free from defects in materials and workmanship for a period of one (1) year from installation or 18 months from the date of shipment whichever comes first. Fiberglass pressure vessels are warranted against defects in materials and workmanship for a period of five (5) years from the date of shipment.

If during that period any products shall be proven to the Manufacturer's satisfaction to be defective, those products will be replaced FOB factory or the price refunded at the Manufacturer's option.

Manufacturer's obligations for non-performance, defects, or any damage caused by its products or their use, and buyer's exclusive remedy therefore, shall be limited to product replacement or refund and shall be conditioned upon Manufacturer's receiving written notice together with a demand for such replacement or refund.

The foregoing warranty is exclusive and in lieu of all other expressed or implied warranty (except of title) including but not limited to implied warranty of merchantability and fitness for particular purpose.

Manufacturer will not be subject to and disclaims the following:

1. Any other obligations or liabilities arising out of breach of contract or out of warranty.
2. Any obligations whatsoever arising from tort claims (including negligence and strict liability) or arising under other theories of law with respect to products sold or services rendered by Manufacturer or any undertakings, acts, or omissions relating thereto.
3. All consequential, incidental, and contingent damages.

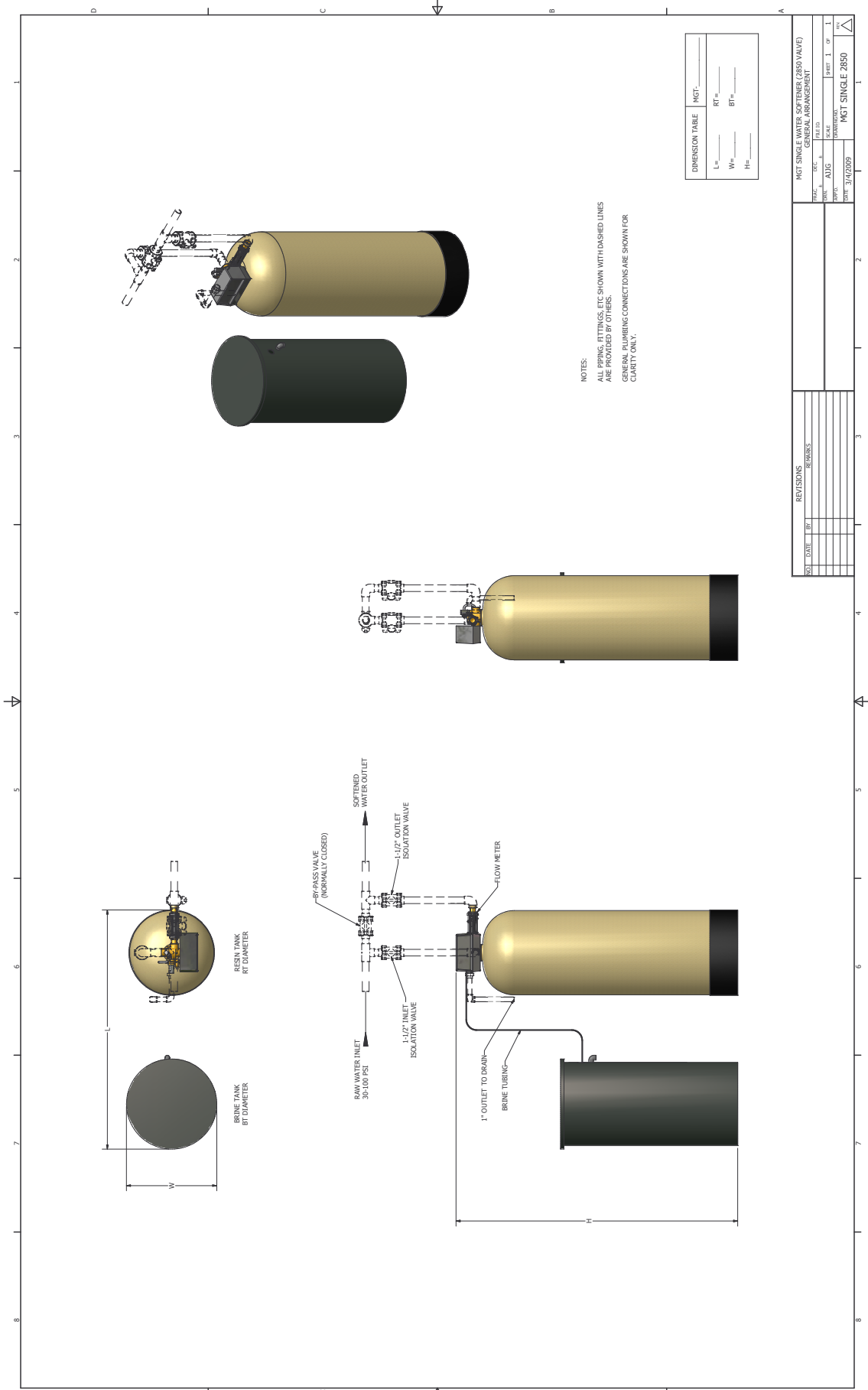
Labor charges, charge backs or handling charges are excluded from Manufacturer's warranty provisions.

COMMERCIAL AND INDUSTRIAL WATER SOFTENER GUARANTEE

Under normal operating conditions:

1. The softener effluent shall be zero soft as determined by a soap test.
2. The loss of softening resin through attrition during the first three (3) years shall not exceed 3% per year.
3. The softening resin shall not be washed out of the system during backwash.
4. The color and turbidity of the softener effluent shall not be greater than the incoming water.

MGT 45M – 450M 1-1/2" SINGLE NXT2 SYSTEM INFORMATION



MGT SINGLE WATER SOFTENER (2850 VALVE) GENERAL ARRANGEMENT	
REV.	DATE
1	03/15/09
MGT SINGLE 2850	
3/15/09	

MGT 45M – 450M 1-1/2” SINGLE NXT2

SYSTEM INFORMATION

DIMENSION CHART

MODEL	INLET SIZE (Inches)	TANK SIZE		LENGTH (Inches)	WIDTH (Inches)	HEIGHT* (Inches)
		SOFTENER (Inches)	BRINE (Inches)			
45	1.5	13x54	18x40	36	18	63
60	1.5	13x54	18x40	36	18	63
90	1.5	14x65	18x40	38	18	74
120	1.5	16x65	24x40	46	24	74
150	1.5	18x65	24x50	48	24	76
210	1.5	21x62	24x50	51	24	76
240	1.5	24x72	24x50	54	24	84
270	1.5	24x72	24x50	54	24	84
300	1.5	24x72	24x50	54	24	84
450	1.5	30x72	30x50	66	30	83

*Leave a minimum 24 inch clearance to the height of the unit for loading media.
 Dimensions are for general arrangement use only.

MGT 45M – 450M 1-1/2” SINGLE NXT2

SYSTEM INFORMATION

SPECIFICATION CHART

SYSTEM SIZE	MODEL	45	60	90	120	150	210	240	270	300	450	
	VALVE SIZE (IN)	1-½	1-½	1-½	1-½	1-½	1-½	1-½	1-½	1-½	1-½	1-½
	MAX CAPACITY (KILOGRAINS)	45	60	90	120	150	210	240	270	300	450	
	MIN CAPACITY (KILOGRAINS)	30	40	60	80	100	140	160	180	200	300	
FLOWRATE (GPM)	CONTINUOUS FLOWRATE (GPM)	18	31	30	33	37	39	42	41	40	45	
	PEAK FLOWRATE (GPM)	28	43	42	45	51	52	56	55	54	62	
	BACKWASH & FAST FLUSH (GPM)	3.5	3.5	5	6	8	12	15	15	15	25	
	BRINE DRAW & RINSE (GPM)	1	1	1	1.2	1.2	1.5	3.2	3.2	3.2	3.5	
	BRINE TANK REFILL (GPM)	1	1	1	1	2	2	2	2	2	5	
TIMER SETTINGS	BACKWASH & FAST FLUSH (MIN)	10	10	10	10	10	10	20	23	25	38	
	BRINE DRAW & RINSE (MIN)	60	60	60	60	60	60	60	60	60	80	
	FAST FLUSH (MIN)	10	10	10	10	10	10	10	10	10	10	
	BRINE TANK REFILL (MIN)	8	10	15	20	14	18	20	22	26	16	
SOFTENER TANK	SIZE (IN)	13x54	13x54	14x65	16x65	18x65	21x62	24x72	24x72	24x72	30x72	
	GRAVEL (LBS)	0	0	30	35	40	80	120	120	120	225	
	RESIN (FT ³)	1-½	2	3	4	5	7	8	9	10	15	
	FREEBOARD (IN)	25	16	21	21	24	18	30	25	21	22	
BRINE SYSTEMS	EQUIPMENT	TANK SIZE	18x40	18x40	18x40	24x40	24x50	24x50	24x50	24x50	24x50	30x50
		MAX SALT STORAGE (LBS)	320	270	270	530	500	600	550	500	450	590
		INJECTOR CODE	3	3	3	4	3C	4C	5C	5C	5C	6C
		INJECTOR COLOR	YEL	YEL	YEL	GRN	YEL	GRN	WHT	WHT	WHT	RED
	MAX	SALT DOSAGE- MAX (LBS)	22.5	30	45	60	75	105	120	135	150	225
		REFILL TIME - MAX (MIN)	10	10	15	20	14	18	20	23	25	15
	MIN	SALT DOSAGE- MIN (LBS)	9	12	18	24	30	42	48	54	60	90
		REFILL TIME - MIN (MIN)	3	4	6	8	6	8	8	9	10	6
REGENERATION WASTE VOLUME (GAL)		116	126	156	188	228	366	520	536	544	860	

NOTES:

1. FLOW RATES

Continuous: pressure loss does not exceed 15 psig.

Peak: pressure loss does not exceed 25 psig

Backwash & Flush: maximum flow to drain

Brine & Rinse: Injector flow to drain

Brine Tank Refill: flow to refill Brine Tank

2. SOFTENER TANK

Freeboard: distance in inches from surface of resin to top sealing flange of tank

3. SALT DOSAGE

Maximum 15 lbs./cu.ft. - regeneration efficiency: 2,000 grains/pound of salt (factory setting)

Maximum 6 lbs./cu.ft. - regeneration efficiency: 3,000 grains/pound of salt

4. REGENERATION WASTE VOLUME - Total gallons water discharged per regeneration

5. OPERATING LIMITS:

Minimum operating pressure is 30 psi.

Maximum operating pressure is 120 psi.

Standard units are designed to soften unheated water within the range of 35-100°F.

6. POWER

Power requirements are 120 Volt, 60 Hertz, Single Phase, 2 amps noninterrupted.

7. SALT

Salt specifications are pelletized or solar salt, 99% pure, containing less than 1% insolubles (see Brine Tank Installation on page 8)

MGT 45M – 450M 1-1/2” SINGLE NXT2 INSTALLATION

INSTALLATION INSTRUCTIONS WATER SOFTENERS

GENERAL INFORMATION

1. Operating pressure range is 25-100 psi. If pressures over 100 psi are encountered, a regulator must be installed.

Note: The control valve will not operate correctly if feeding into an atmospheric tank. A pressure control device must be added to the outlet to maintain the minimum pressure.

2. Power requirements are shown on inside cover of the control valve.

3. Standard units are designed to soften unheated water not to exceed 100F. Special valve assemblies are available to handle heated water supplies exceeding 100 F. Consult factory if applicable.

4. Each softener tank is shipped with distributor manifold and control valve preassembled. Take care when uncrating and erecting so that no items are damaged.

5. The distributor assembly has been shipped inside the fiberglass mineral tank. Check to make sure that there is no damage to the riser pipe, baskets, laterals or hub (if applicable).

Note: A prefilter should be used on installations in which free solids are present

LOCATE SOFTENER

1. Select a location that is accessible and near a floor drain that has adequate carrying capacity to handle the softener backwash flow (see specification table).

2. Erect the softener tank(s) on a concrete or other firm foundation and level.

3. Position the brine tank according to the illustration and supplementary brine tank information. Keep the brine tank as close as possible to the softener tank(s).

Note: The distance between the softener and brine tanks will affect the brine injector performance, as the distance increases the injector performance decreases. This may cause an inadequate regeneration.

4. A grounded electric receptacle is required for the control valves.

MGT 45M – 450M 1-1/2” SINGLE NXT2 INSTALLATION

LOAD SOFTENER TANK

IMPORTANT: Be sure to visually inspect the lower laterals prior to loading the media. Check to make sure each lateral is firmly threaded into the hub.

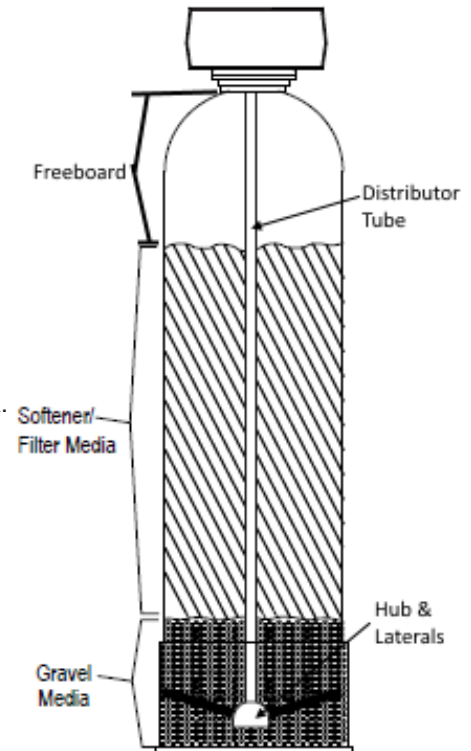
1. On Model MGT - 45 and 60 the softening media has been pre-loaded at the factory. Skip this section and go to “Mount Control Valve Assembly”.
2. Fill a tank approximately 1/3 full of water using a hose, bucket, etc. Plug the PVC distributor manifold pipe using a plastic cap, cork, rag, etc. No gravel or resin should go into this distributor manifold pipe.
3. Verify the distributor manifold is center in the tank with the distributor resting on the bottom of the tank. Verify the riser pipe is still plugged.

Note: Reference the specification table in the front of this manual for the correct quantities of gravel and resin. These quantities are for each tank. Make sure you have the required amounts on site before you begin.

4. With care not to damage any lateral, pour in the gravel provided for each tank through the top opening in the tank and level out evenly. This will cover the distributor assembly.

Note: Wetting the gravel in the bags before loading will eliminate the normal amount of dust.

5. When gravel is loaded and leveling is completed, proceed as follows:
6. With the distributor riser pipe still plugged, add the proper amount of resin supplied for each tank through the top opening in the tank.



Caution: The softener resin is very slippery. Take care when stepping on any spilled resin. Remove spilled resin from standing surface immediately.

7. When loading is complete, remove plastic cap, cork, or rag that was used to plug the distributor riser pipe. Be careful not to let any foreign debris fall into the pipe. The result could be damage to system.
8. Repeat instruction steps 1-7 for each softener tank if applicable.

MOUNT CONTROL VALVE ASSEMBLY

1. Verify that the distributor riser pipe is not plugged.
2. Lubricate the distributor o-ring on the bottom of the control valve with silicone.
3. Insert disperser in threaded base of control valve. The threaded base has a groove machined into the inside of the threaded part of the base to allow for the installation of this disperser.
4. Screw control valve into top opening of tank making sure the distributor riser pipe slides easily through the distributor o-ring. Care must be taken not to “nick” this o-ring as hard water leakage could result.
5. Tighten down the control valve to ensure positive o-ring seal at top of tank.
6. Repeat instruction steps 1-5 for each softener tank (if applicable).

MGT 45M – 450M 1-1/2” SINGLE NXT2 INSTALLATION

BRINE TANK INSTALLATION

The brine tank should be installed on a smooth level surface. If none is available, the tank should be placed on a smooth piece of exterior plywood and leveled by placing shims underneath the plywood. Make sure that the salt shelf inside the tank is level and that the brine well is near to vertical as possible. The brine valve float is used as a safety overflow and should be high on the float rod. It is not used to stop the refill. If the float is near the salt shelf, move the float up near the top of the valve.

Note: Brine valve assembly will not sit on bottom of brine tank.

Using the tubing supplied in the brine tank, connect one end to the brine valve in the brine tank (“A”) to the brine injector port on the valve (“B”). There should be an insert and enough brine tubing to reach from the brine valve to the control valve. For systems that use a 1600 brine valve, the tubing will be 3/8” OD. For systems that use the 1700 brine valve, the tubing will be 1/2” OD. 18 feet of tubing is included with the system.

After connecting the tubing on both ends, verify that the brine line tubing is not kinked or restricted.

Run flexible tubing (not provided) from the brine tanks over flow fitting to an appropriate, non-elevated, open drain.

Using a bucket or hose, fill brine tank with water to about 2” above salt platform. Do not add salt at this time.

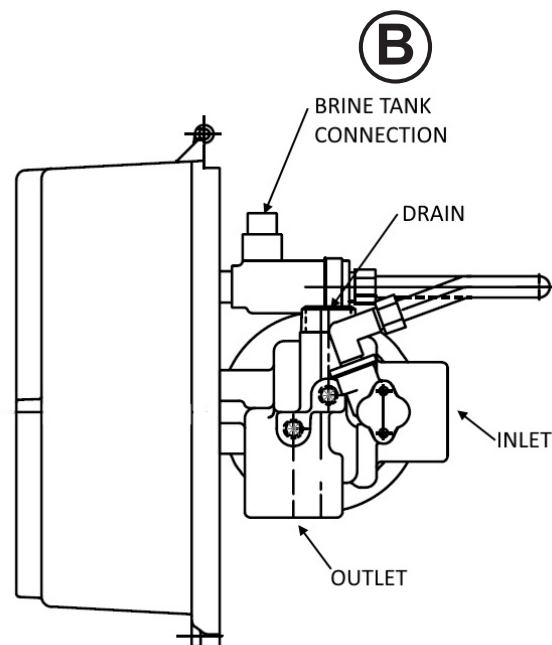
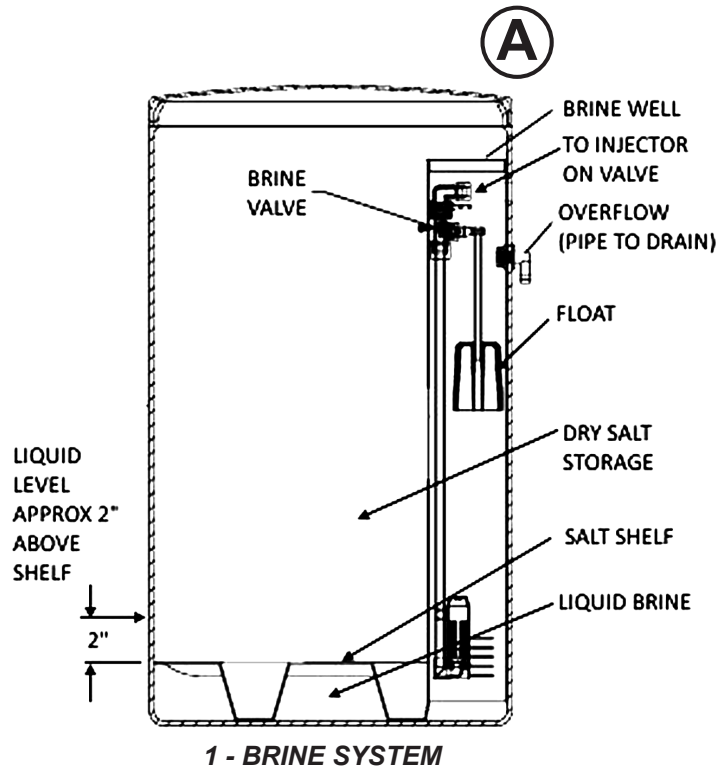
Note:: In the process of making brine for the first regeneration, the solution volume will increase (one gallon of water will be 1.2 gallons of brine). The final level of the liquid will be several inches above the platform.

RECOMMENDED TYPES OF SALT

Only purified salt should be used in the brining system. Palletized salt (“Button”, “Nugget”, and “Pellet”) or block salt (free binders) is recommended. Do not use granulated salt, as it will fall through the platform screen.

Rock salt is not normally recommended. Most rock salt contains sludge-forming insoluble that collect on the platform and prevents proper salt-water contact.

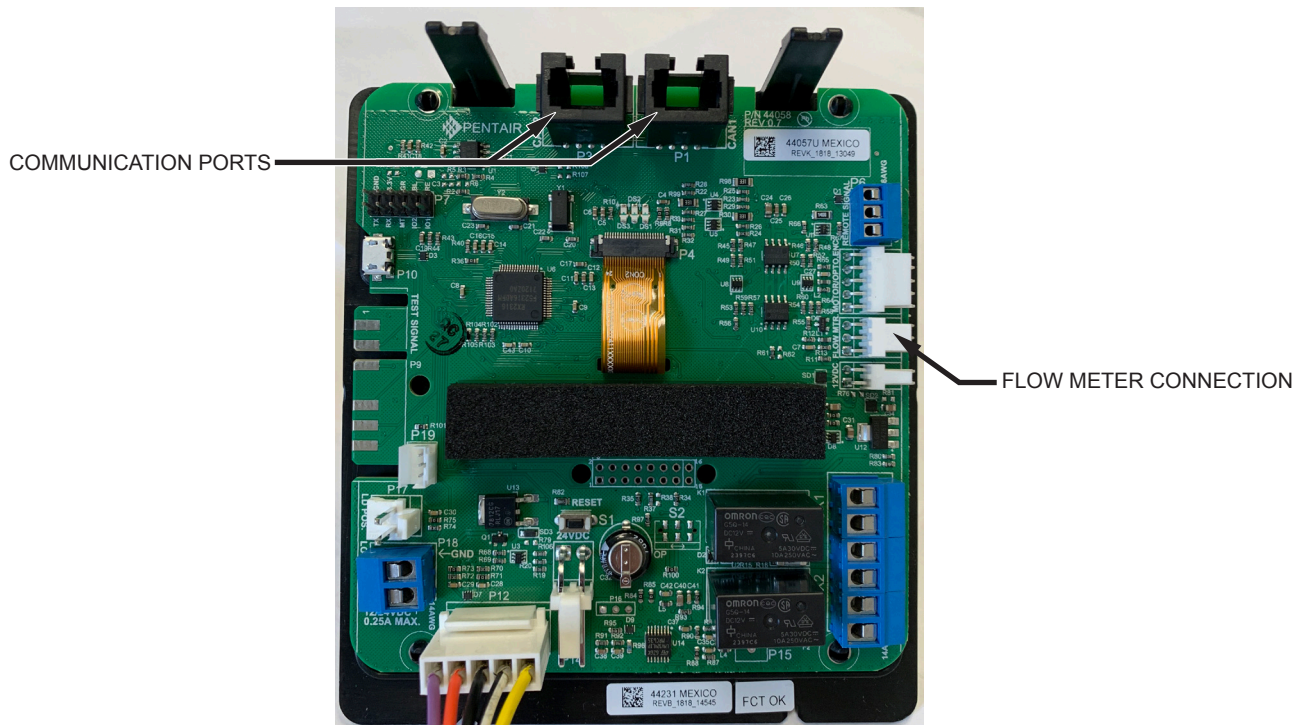
Only salt containing 0.5% or less of insolubles will provide continued satisfactory operation. If salt with more insolubles is used, the brine maker will require periodic cleaning.



MGT 45M – 450M 1-1/2” SINGLE NXT2 INSTALLATION

MOUNTING WATER METER ASSEMBLY (IF UNIT IS NOT SKID MOUNTED)

1. Locate the meter. The meter may or many not have the cable attached. If not, locate the cable as well.
2. For a twin alternating system, the meter must be installed in the common outlet of the softeners. Refer to the General Arrangement drawing on page two (2). The water meter has a flow arrow stamped on it. The flow arrow on the meter should be pointing away from the softeners.
3. After installing the meter, insert the meter end of the cable into the meter dome if necessary. Then run the meter cable along the piping back to the unit 1 control valve.
4. Run the cable through a cable grip and into the back of the control and into the controller. Connect the meter cable to the circuit board in the lower right as shown.



MGT 45M – 450M 1-1/2” SINGLE NXT2

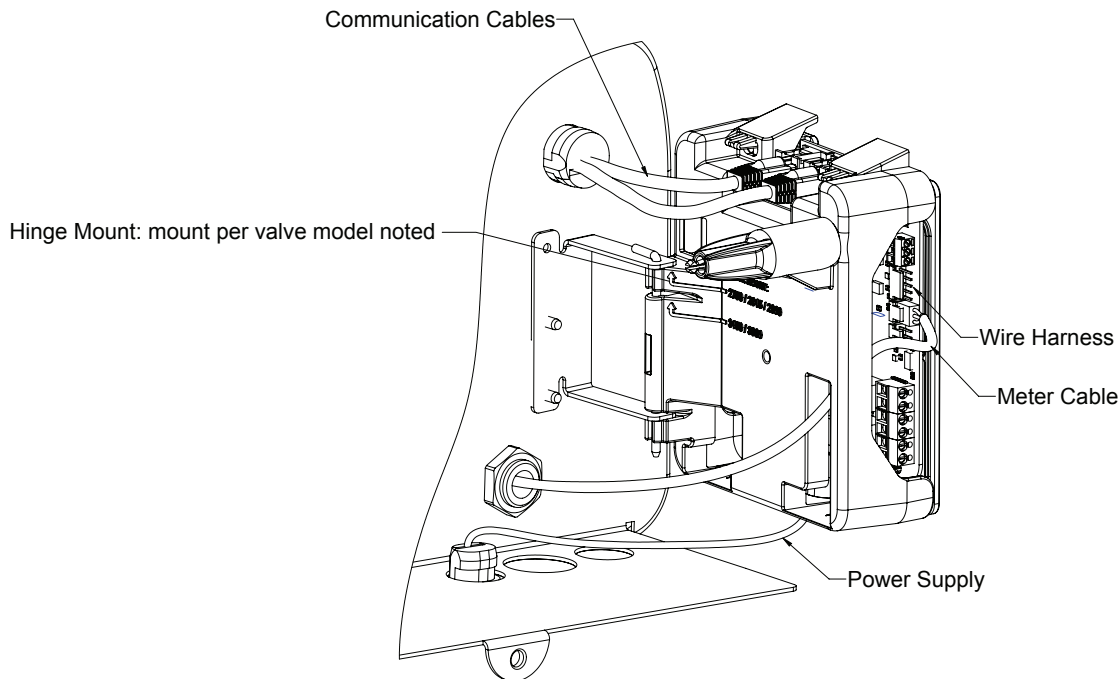
OPERATION

POWER SUPPLY INSTALLATION

NOTE: POWER SUPPLY INCLUDES A HARNESS WITH 2 BLACK WIRES THAT CONNECT TO THE CIRCUIT BOARD.

1. Insert black and black transformer wires into 24VDC input of control.

2510/2750/2815/2850/2900 Valves:



INSTALLATION OF CONNECTION PIPING

NOTE:

- Use thread sealing tape on all threaded piping connections.
- Install the piping conforming to federal, provincial, and local codes.
- Union or flanges are recommended at the control valve's inlet, outlet, and drain connections
- To enhance the monitoring of the system's performance sample valves and pressure gauges can be installed at the inlet and outlet piping to each control valve.

Caution: All piping must be properly supported. The tank and valve assemblies are not meant to support the connecting piping.

1. Install piping as shown on installation diagram. It is recommended that unions be installed on inlet and outlet connections to facilitate service of unit. Be sure piping is free of thread chips and other foreign matter. The connecting piping should be the same size or larger than the service inlet and outlet of the control valve. On multiple units that are both in service at the same time the common service inlet and outlet headers should be up-sized to accommodate the total flow
2. Verify that the flow arrow stamped on the brass flow controller is pointing away from the control valve. See installation diagram or valve manual for the location. Install a drain line from backwash control assembly to an appropriate drain using a minimum of elbows. Install a union near the backwash control to facilitate cleaning. Do not install a valve on the drain line.

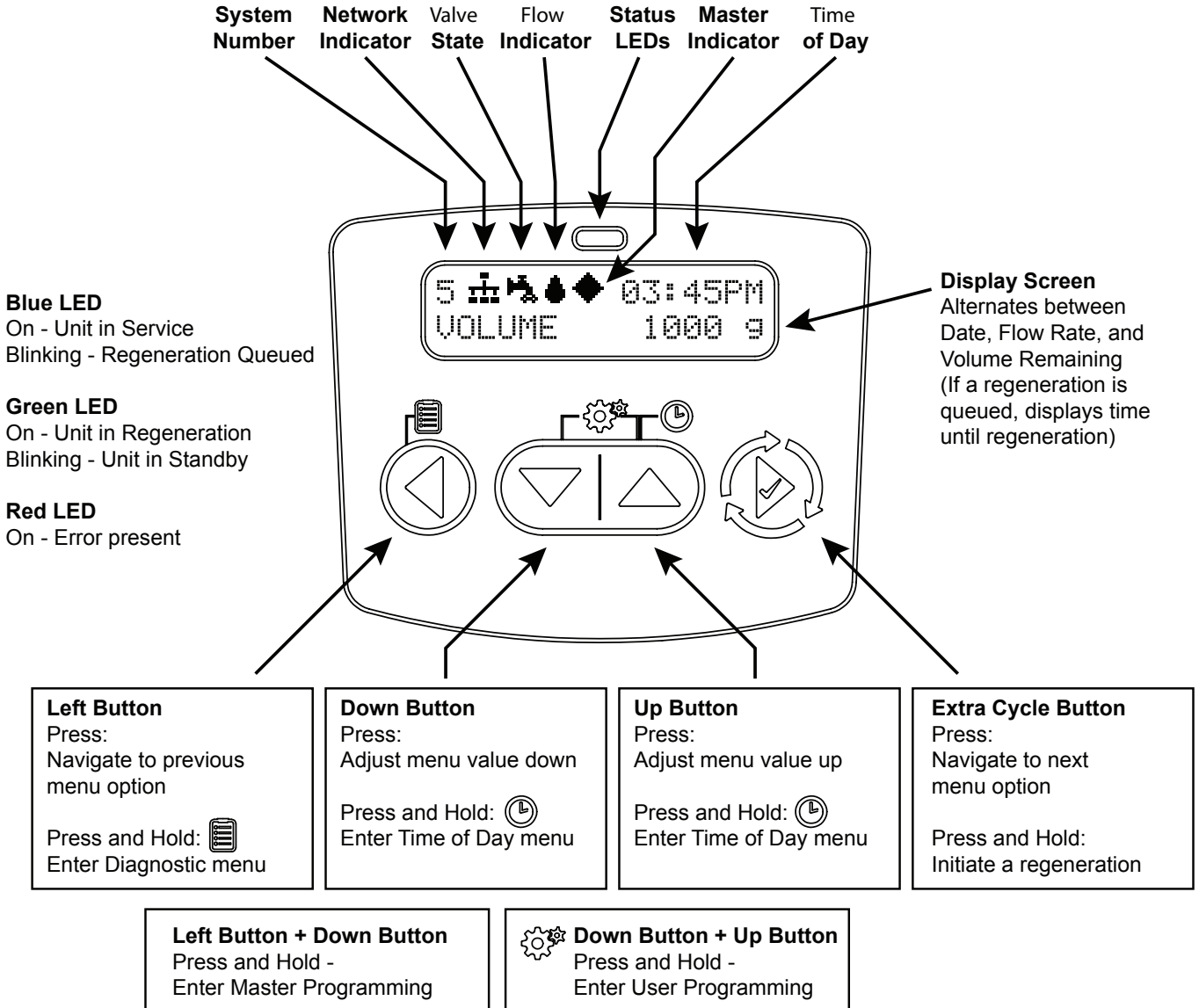
NOTE:

- If distance of drain line is over a 10 ft. vertical or 25 ft. horizontal run, increase drain line one pipe size over that provided on the control valve.
- Do not make a direct connection to the drain. Provide an air gap of at least four times the diameter of the pipe to conform to sanitation codes and to permit observation of the flow.
- It is not recommended that an overhead or a long horizontal drain run be used. The increase of backpressure will cause problems when drawing brine.





















MGT 45M – 450M 1-1/2” SINGLE NXT2

OPERATION

TIMER DISPLAY FEATURES



Display Icons

- | | | | |
|-------------------------------------------------------------------------------------|----------------------------------|-------------------------------------------------------------------------------------|-------------------------|
|  | Valve State: Service |  | Lock Window |
|  | Valve State: Standby |  | Initializing |
|  | Flow Indicator (flashing) |  | Upper Drive Movement |
|  | Regeneration |  | Lower Drive Movement |
|  | Master Unit (auto-assigned) |  | Remote Regeneration |
|  | Network Indicator - Connected |  | Master Programming |
|  | Network Indicator - Disconnected |  | User Programming |
|  | Network Indicator - Unit Missing |  | Diagnostics |
|  | USB Connected (Field Programmer) |  | Time of Day Programming |
|  | Error Condition Present | | |
|  | Remote Lock | | |

MGT 45M – 450M 1-1/2” SINGLE NXT2 OPERATION

SYSTEM OPERATION

System 4 Single Unit

Single Tank configuration
Time Clock: No Meter
Immediate: One Meter
Delayed: One Meter
Remote Signal Start

TIMER OPERATION

TIMER OPERATION DURING PROGRAMMING

The timer enters the Program Mode in standby or service mode as long as it is not in regeneration. While in the Program Mode the timer continues to operate normally monitoring water usage. Timer programming is stored in memory permanently.

TIMER OPERATION DURING A POWER FAILURE

All program settings are stored in permanent memory. Current valve position, cycle step time elapsed, and time of day are stored during a power failure, and will be restored upon power re-application. Time is kept during a power failure, and time of day is adjusted upon power up (as long as power is restored within 12 hours).

NOTE:

The time of day on the main display screen will flash for 5 minutes when there has been a power outage. The flashing of the time of day can be stopped by pressing any button on the display.

REMOTE LOCKOUT

The timer does not allow the unit/system to go into Regeneration until the Regeneration Lockout Input signal to the unit is cleared. This requires a contact closure to activate the unit. The recommended gauge wire is 16 AWG with a maximum wire length run of 50 feet.

REGENERATION DAY OVERRIDE FEATURE

If the Day Override option is turned on and the valve reaches the set Regeneration Day Override value, the Regeneration Cycle starts if no other unit is in Regeneration. If other units are in regeneration, it is added to a regeneration queue. This occurs regardless of the remaining volume available.

FLOW METER EQUIPPED TIMER

As treated water is used, the Volume Remaining display counts down from the calculated system capacity to zero. When zero is reached, a Regeneration Cycle begins if no other units are in regeneration.

MGT 45M – 450M 1-1/2” SINGLE NXT2

OPERATION

TIMER OPERATION

SETTING THE TIME OF DAY

NOTE: Set Time of Day on any unit and the rest of the units in the system will update the Time of Day automatically.

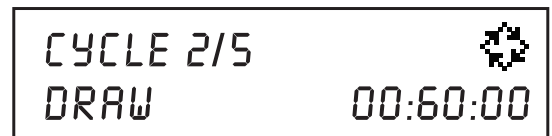
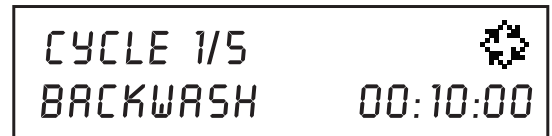
1. Press and hold the Up button for 2 seconds. The “Time” value is displayed. Press the Up or Down buttons to adjust as desired.
2. Press the Extra Cycle button to advance to the “Year” field. Press the Up or Down buttons to adjust as desired.
3. Press the Extra Cycle button to advance to the “Month” field. Press the Up or Down buttons to adjust as desired.
4. Press the Extra Cycle button to advance to the “Calendar Day” field. Press the Up or Down buttons to adjust as desired.
5. Press the Extra Cycle button to return to the normal display screen.

NOTE: Press and hold the Left button to exit without saving.

MANUALLY INITIATING A REGENERATION

1. When timer is In Service or Standby, press and hold the Extra Cycle button on the main screen.
2. The timer advances to Regeneration Cycle Step #1, and begins programmed time count down.
3. Press the Extra Cycle button once to advance valve to Regeneration Cycle Step #2 (if active).
4. Press the Extra Cycle button once to advance valve to Regeneration Cycle Step #3 (if active).
5. Press the Extra Cycle button once to advance valve to Regeneration Cycle Step #4 (if active).
6. Press the Extra Cycle button once to advance valve to Regeneration Cycle Step #5 (if active).
7. Press the Extra Cycle button once more to advance the valve back to In Service.

NOTE: A manually initiated or queued regeneration can be cleared by pressing and holding the Back button. A system queued regeneration can only be cleared by stepping through a manual regeneration. If regeneration occurs for any reason prior to the delayed regeneration time, the manual regeneration request shall be cleared. Pressing the Extra Cycle button while in regeneration will cause the upper drive to advance to the next step immediately.



In the Regeneration Cycle step display, the timer shows the current regeneration cycle name the valve is in, or has reached, and the time remaining in that step. Once all regeneration steps are complete, the timer returns to In Service and resumes normal operation.



Press the Extra Cycle button during a system queued Regeneration Cycle to immediately advance the valve to the next cycle step position and resume normal step timing.

LOCK SETTINGS (ACCESS TO MASTER PROGRAMMING)

Lock Settings prevents the user from accessing Master Programming. In Master Programming, select the desired Lock Settings option (Off, Time Based, Delayed, or Enter Code).

Time Based - User must set clock to 12:01 pm to unlock

Delayed - User must press and hold the Left and Down buttons for 60 continuous seconds to unlock

Enter Code - User must input code “1201” to unlock

SETTINGS REVIEW

To prevent unintentional changes to Master Programming, enable Settings Review to view and navigate through Master Programming settings without the ability to edit.

MGT 45M – 450M 1-1/2” SINGLE NXT2

OPERATION

START-UP PROCEDURES

Again, make sure all plumbing is complete and tight, including drain line and brine line. Make sure all electrical components, including the communication cables (multi tank systems only) are properly installed and connected.

1. Using a bucket or hose, fill brine tank with water to 2” above salt platform. Do not add salt at this time.
2. Make sure inlet and outlet isolation valves are closed, and then turn on power to the system.

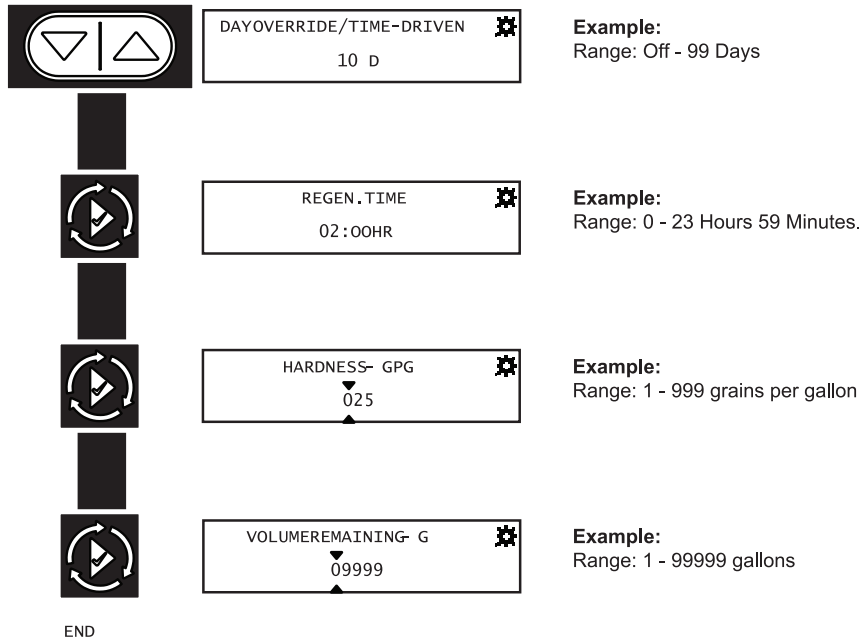
Note: Start up only one (1) tank at a time.

3. Open the manual bypass valve. The manual inlet and outlet valves are to remain closed.
4. Connect electrical power to the control valve by plugging in the valve. Once the valve is powered it will drive to the service position. The LED light should be blue.
5. Program the NXT controller. The water hardness, day override, time of regeneration, and time of day will need to be set on site to the desired settings. (Refer to the User Mode Programming section of the manual.) The softener settings are pre-programmed at the factory. Instructions for changing these settings are in the Master Programming Guide section.
6. Manually initiate a regeneration by pressing and holding the Extra Cycle button on the NXT controller.
7. The LED light on the NXT timer should change from Blue indicating the unit is In Service color to Green indicating the unit is in Regeneration.
8. Slowly open the manual inlet supply valve of the unit that is in backwash. Do not open the valve fully. Water will enter from the bottom of the mineral tank as air is expelled from the top to the drain. Full flow of water could cause loss of mineral. Continue to fill slowly until all air is expelled and only water flows to the drain.
9. When only water flows to the drain, open the inlet valve fully and backwash the unit until the water looks clean when caught in a container.
10. Press the Extra Cycle push button to advance the valve to the Brine/Rinse position.
11. While the unit is in the brine/rinse position, check the level in the brine tank. The level should be dropping at a slow rate (approximately 2” per minute). Allow the level to drop until the air check valve closes.
12. Press the Extra Cycle push button to advance the valve to the Fast Flush position. Allow the water to flow to the drain until clear.
13. Press the Extra Cycle push button to advance the valve to the Brine Tank Refill position. Allow the brine tank to fill with water for the duration of the step. The water level should be 1”-2” inches above the salt platform.
14. Press the Extra Cycle push button to advance the valve to the Service/Standby position.
15. If applicable repeat steps 3 - 13 for the other unit(s).
16. Fill the brine tank with the proper amount and type of salt recommended for use with the system.
17. Close the manual bypass valve and open all outlet valves fully. The system is now in service.

MGT 45M – 450M 1-1/2” SINGLE NXT2 OPERATION

USER MODE PROGRAMMING FLOW CHART

1. To navigate, press the Extra Cycle button to advance to the next value. Press the Left button to retreat to the previous value.
2. Where applicable, use the Up and Down buttons to adjust a value as desired.
3. After progressing through all available values, the timer will return to Normal operation.
4. Depending on the current controller programming, certain values may not be able to be viewed or set.
5. The timer will display local information, not system information.



1. Enter User Mode

Press and hold the Up and Down buttons for 3 seconds.

2. Set Regeneration Day Override/Time Driven

To turn on and set the days, press the Up or Down button. Range is OFF to 99 days. Press the Extra Cycle button to proceed to the next step.

3. Set Regeneration Time

Press the Up and Down buttons to change the time value. Holding a button down will speed through the setting. Press the Extra Cycle button to proceed to the next step.

4. Set Feed Water Hardness

Press the Up and Down buttons to change the value of the numbers. Press the Extra Cycle button to proceed to the next number. Range is 0-999 gpg. After the third number is entered, pressing the Extra Cycle button will continue to the next step.

NOTE: Only displayed when a metered option is chosen under System Type.

5. Set Volume Remaining

Press the Up and Down buttons to change the value of the numbers. Press the Extra Cycle button to proceed to the next number. Range is 0-99,999 gallons. After the last number is entered, pressing the Extra Cycle button will end User Mode.

To exit user mode, progress through all available values, or press and hold the Left button at anytime, or after 5 minutes of inactivity the timer will return to normal operation automatically.

6. End of User Programming Mode

MGT 45M – 450M 1-1/2” SINGLE NXT2 OPERATION

BATCH SIZE CALCULATION

Batch size is the term used for the amount of water being softened by the water softener between regenerations. The NXT2 controller calculates this value automatically based on the values in the program. This is a simple calculation provided two pieces of information are known:

Capacity of the water softener in grains (gr.)
(i.e. MGT-300 has 300,000 grains capacity per tank).
Hardness of the raw water being treated by the water softener.

BATCH SIZE EQUATION:

$$\text{Batch Size} = \frac{\text{Grain Capacity of Softener}}{\text{Hardness of Water (grains per gallon)}}$$

SAMPLE CALCULATION

Assume:

Unit is a model MGT-300 softener
The hardness of the water was measured to be 20 grains per gallon

Using our equation take $300,000 \div 20 = 15,000$ gallons.
10% Safety factor - reserve capacity = 1,500 gallons.
 $15,000$ gallons – 1,500 gallons = 13,500 gallons (batch size)

For immediate regeneration type meter control the meter setting would be at 15,000 gallons. Commonly this value is adjusted to 90 percent of the actual value (in this example 13,500 gallons) to assure not over-running the softener.

NOTE:

For meter delayed options, the batch size is determined as in our example, except an additional amount of gallons must be accounted for and deducted from the total to allow soft water to be available until the softener regenerates at the selected delay time of day or night. This compensation is necessary since the meter will indicate regeneration required time prior to the set delay time. This can be accomplished on the NXT2 timer by increasing the safety factor in the **Master Programming** mode.

MGT 45M – 450M 1-1/2” SINGLE NXT2 OPERATION

DIAGNOSTIC MODE FLOW CHART

Entering Diagnostic Mode:

1. Press and hold the Left button to enter Diagnostic Programming mode.
2. To navigate, press the Extra Cycle button to advance to the next value. Press the Left button to retreat to the previous value.
3. To reset/clear a value (such as Totalizer or Error Log), while on the value, press and hold the Up and Down buttons simultaneously.
5. After progressing through all available values, the timer will return to Normal operation.
6. To exit diagnostic mode, press and hold the Left button at anytime or after 5 minutes of inactivity the timer will return to normal operation automatically.
7. Depending on the current controller programming, certain values may not be able to be viewed or set.
8. The timer will display local information, not system information.
9. In the event of a regeneration occurring while displaying diagnostics, the regeneration step and time remaining will be displayed. When regeneration has been completed, the display will return to the main screen.



END

MGT 45M – 450M 1-1/2” SINGLE NXT2 OPERATION

MASTER PROGRAMMING MODE FLOW CHART

NOTE: Depending on current option settings, some displays cannot be viewed or set.

Master Programming Mode:

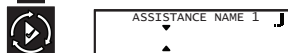
1. Press and hold the Left and Down buttons simultaneously for 3 seconds to enter Master Programming mode.
2. To navigate, press the Extra Cycle button to advance to the next value. Press the Left button to retreat to the previous value.
3. Where applicable, use the Down and Up buttons to adjust a value as desired. When entering data into text fields (such as Assistance Name) or numerical fields (such as Hardness), press the Extra Cycle button to advance to the next character/digit and press the Left button to retreat to the previous character/digit. Proceed through all available characters/digits to advance to the next value.
4. To reset/clear a value (such as Assistance Name), while on the value, press and hold the Down and Up buttons simultaneously for 5 seconds.
5. To exit master programming mode, progress through all available values or after 5 minutes of inactivity the timer will exit automatically. To exit master programming without saving changes, press the Left button until you return to the service screen.
6. Depending on the current controller programming, certain values may not be able to be viewed or set.
7. The timer will display local information, not system information.
8. In the event of a regeneration occurring while displaying master programming, the regeneration step and time remaining will be displayed. When regeneration has been completed, the display will return to the main screen.
9. If any values are changed, make sure Push Settings is set to ON so the values are pushed to the other unit(s).



Example:
On: View settings without the ability to alter settings.
Off: User has ability to alter settings.



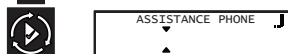
Example:
English, Francais, Duetsch, Italiano, Espanol, Nederlandse, Portugues



Example:
12 characters maximum.



Example:
12 characters maximum.



Example:
14 characters maximum.

	Example: 4, 5, 6, 7, 8, 9, 14
	Example: 2, 3, 4, 5, 6, 7, 8
	Example: Trip Points only available/visible when System Type 14 is selected.
	Example: Range: 1-90 seconds
	Example: Range: 60-300 seconds
	Example: 2510, 2750, 2815, 2900, 3150, 3900
	Example: Upflow Downflow Filter
	Example: Softener Meter Delayed Softener Meter Immediate Time Clock Day of the Week.
	Example: Metric US
	Example: Range: 0-9,999,999 grains
	Example: Range: 0-199 GPG
	Example: Fixed Volume Weekly Reserve Variable Reserve Fixed %
	Example: Off, Immediate, Delayed
	Example: Range: 1-90 seconds (Service) 60-300 seconds (Standby)
	Example: Range: Off - 99 Days
	Example: Range: 0 - 23 Hours 59 Minutes.

MGT 45M – 450M 1-1/2” SINGLE NXT2 OPERATION

MASTER PROGRAMMING MODE FLOW CHART

	LOCK WINDOW #1 ON OFF	Example: Start Lock Window End Lock Window
	BACKWASH 10 M	Example: Range: 0 - 240 M
	DRAW 60 M	Example: Range: 0 - 240 M
	RAPID RINSE 10 M	Example: Range: 0 - 240 M
	TANK REFILL 12 M	Example: Range: 0 - 240 M
	PAUSE 0 M	Example: Range: 0 - 240 M
	METER TYPE 0.75" TURBINE 1.00" PADDLE 1.00" TURBINE	Example: Paddle (0.75", 1", 1.5", 2", 3") Turbine (0.75", 1.25", 1.5") Generic
	CONTINUOUS FLOW DETECT ON OFF	Example: Range: 0.1 to 999.9 gpm/Lpm
	AUXILIARY 1 STANDBY OFF ALARM BASED	Example: Off, Alarm Based, Cycle Based, Time Based, Volume Based, Standby
	AUXILIARY 2 STANDBY OFF ALARM BASED	Example: Off, Alarm Based, Cycle Based, Time Based, Volume Based, Standby
	PUSH SETTINGS OFF ON	
	SAVE AS NON-FACTORY ON OFF	
	LOCK SETTINGS TIME BASED OFF DELAYED	Example: Off, Delayed, Enter Code, Time Based

END

K-FACTOR TABLE - SIGNET 2536
(Pulses per Gallon)

PIPE SIZE (inches)	GENERIC FLOW METER SETTINGS		
	TEE GALVANIZED	TEE PVC	SADDLE IRON
1	213	352	
1-1/4	128	177	
1-1/2	94	118	
2	59	67	54
2-1/2		43	38
3		27	23

AUTO TURBINE METER

METER SIZE	K-FACTOR
1	65
2	15

CLACK METER

METER SIZE	K-FACTOR
1-1/2	37
2	20
3	8

MGT 45M – 450M 1-1/2” SINGLE NXT2 OPERATION

MASTER PROGRAMMING STEPS - SINGLE (SYSTEM 4)

STEP	FACTORY SETTING	RANGE
SETTINGS REVIEW	OFF	On-Off
LANGUAGE	ENGLISH	English, Francais, Deutsch, Italiano, Espanol, Nederlands, Portugues
ASSISTANCE NAME 1	ENTERED BY DEALER	
ASSISTANCE NAME 2	ENTERED BY DEALER	
ASSISTANCE PHONE	ENTERED BY DEALER	
SYSTEM	System 4 (Single Unit)	System 4 (Single Unit) System 5 (2-8 Units) Parallel Interlock System 6 (2-8 Units) Parallel Series Regeneration System 7 (2 Units) Alternating (I) System 8 (2 Units) Alternating (D) System 9 (2-8 Units) Alternating with Stanby Uni System 14 (2-8 Units) Demand Recall
VALVE	2850	2815, 2510, 2750, 2850, 2900, 3150, 3900
REGEN. FLOW	Downflow	Filter Downflow
UNITS	US	US, Metric
CAPACITY - GRAINS*	see data table*	0-9,999,999 Grains
HARDNESS - GPG	ENTERED BY DEALER	0-199 gpg
REMOTE REGENERATION	Off	Off Delayed Immediate
DAY OVERRIDE/TIME DRIVEN	7	Off - 99 Days
REGEN. TIME	02:00AM	Any Time
LOCK WINDOW #1	Off	Off, On
LOCK WINDOW #2	Off	Off, On
BACKWASH	10 M	0-240 Mins
DRAW	60 M	0-240 Mins
RAPID RINSE	10 M	0-240 Mins
REFILL*	see data table*	0-240 Mins
PAUSE	0 M	0-240 Mins
METER TYPE*	see data table*	Generic Paddle (0.75", 1.00", 1.50", 2.00", 3.00") Turbine (0.75", 1.00", 1.25", 1.50")
CONTINUOUS FLOW DETECT	Off	On, Off
AUXILIARY 1	Off	Standby, Off, Alarm Based, Cycle Based, Time Based, Volume Based
AUXILIARY 2	Off	Standby, Off, Alarm Based, Cycle Based, Time Based, Volume Based
PUSH SETTINGS ¹	Off	On, Off
SAVE AS NON-FACTORY ²	On	On, Off
LOCK SETTINGS	Off	Time Based, Off, Delayed, Enter Code

* For settings with an asterisk, consult the data table on page 5.

¹ Used only on multi-tank systems

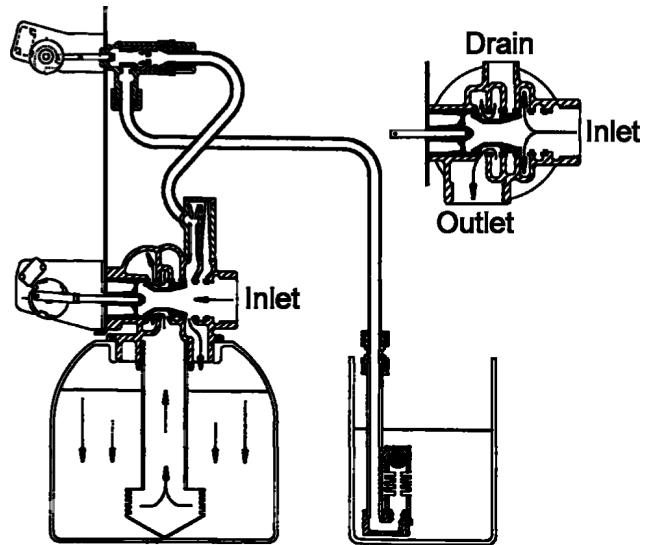
² Use "SAVE AS NON-FACTORY" to save all the programmed settings. When resetting the board, you can choose to reset to factory default settings or the non-factory settings.

MGT 45M – 450M 1-1/2” SINGLE NXT2 OPERATION

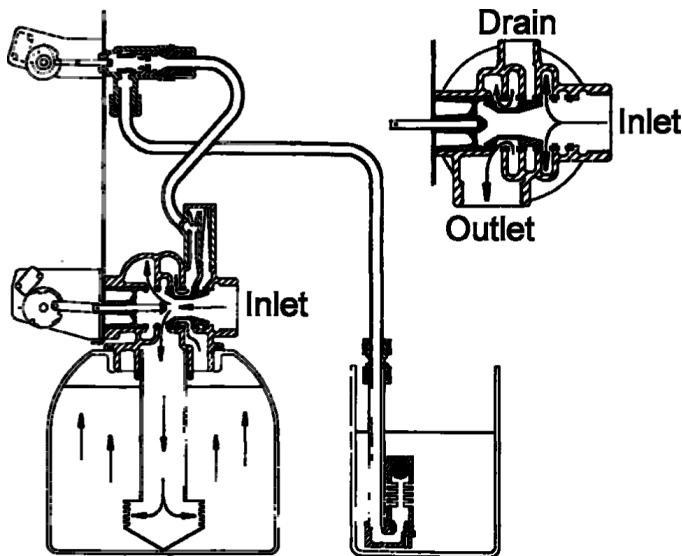
FLOW DIAGRAMS

1. SERVICE POSITION

Hard water enters unit at valve inlet and flows down through the mineral in the mineral tank. Conditioned water enters center tube through the bottom distributor, then flows up through the center tube, around the piston, and out the outlet of the valve.

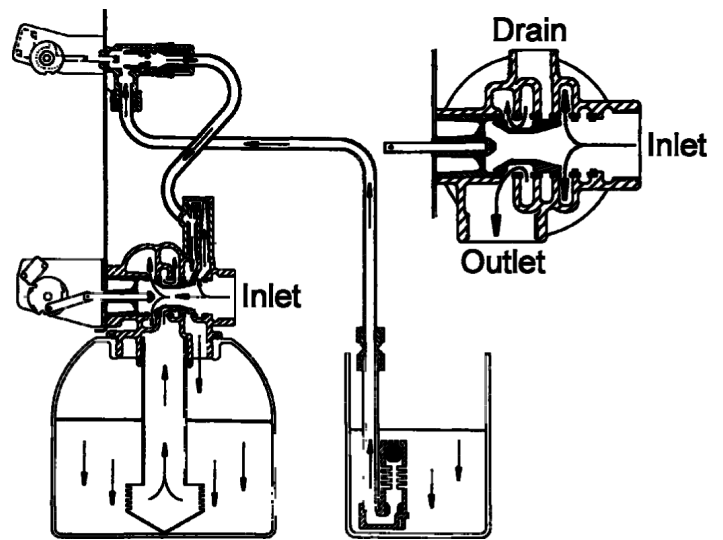


2. BACKWASH POSITION



Hard water enters unit at valve inlet, flows through piston, down center tube, through bottom distributor, and up through the mineral, around the piston and out the drain line.

3. BRINE POSITION



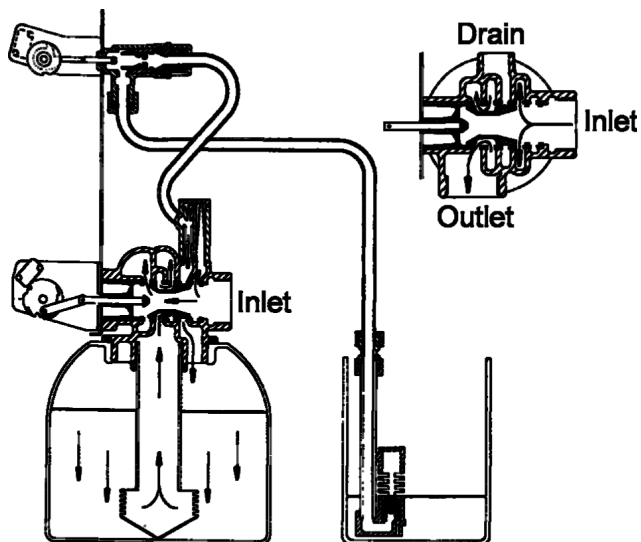
Hard water enters unit at valve inlet, flows up into injector housing and down through nozzle and throat to draw brine from the brine tank, brine flows down through mineral and enters the center tube through bottom distributor and out through the drain line.

MGT 45M – 450M 1-1/2” SINGLE NXT2 OPERATION

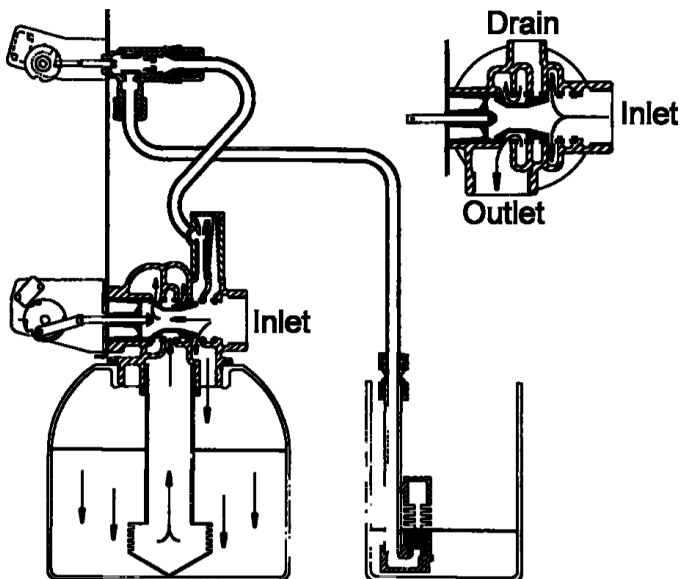
FLOW DIAGRAMS

1. SLOW RINSE POSITION

Hard water enters unit at valve inlet, flows up into injector housing and down through nozzle and throat, around the piston, down through mineral, enters center tube through bottom distributor, flows up through center tube, around piston and out through drain line.

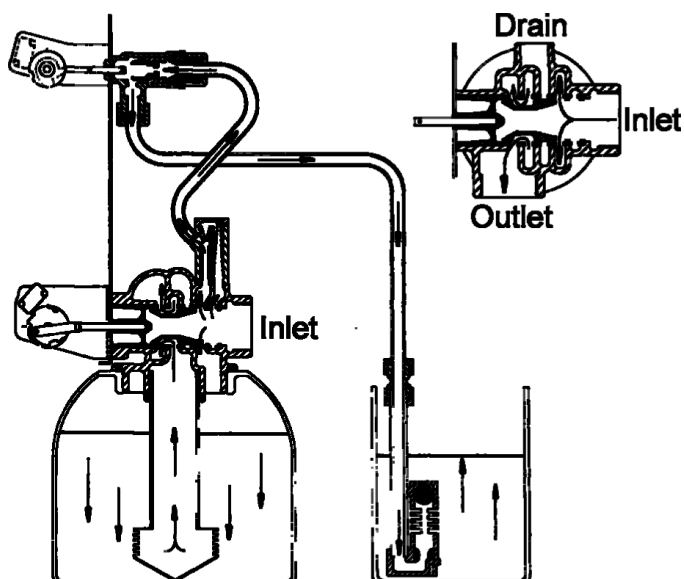


2. RAPID RINSE POSITION



Hard water enters unit at valve inlet, flows directly from inlet down through mineral into center tube bottom distributor and up through center tube, around piston and out through the drain line.

3. BRINE TANK FILL POSITION

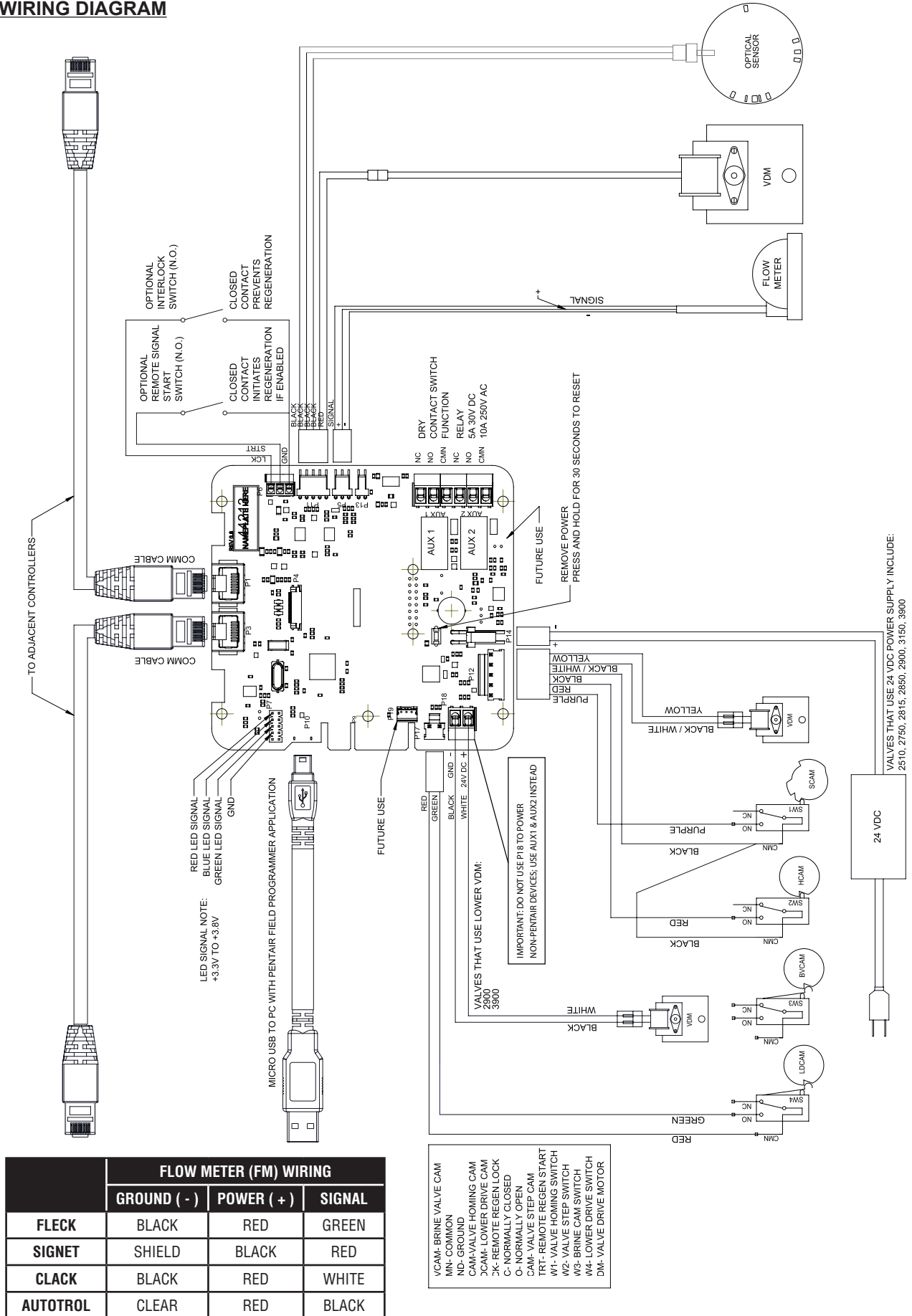


Hard water enters unit at valve inlet, flows up through the injector housing, through the brine valve to refill the brine tank.

MGT 45M – 450M 1-1/2” SINGLE NXT2 MAINTENANCE

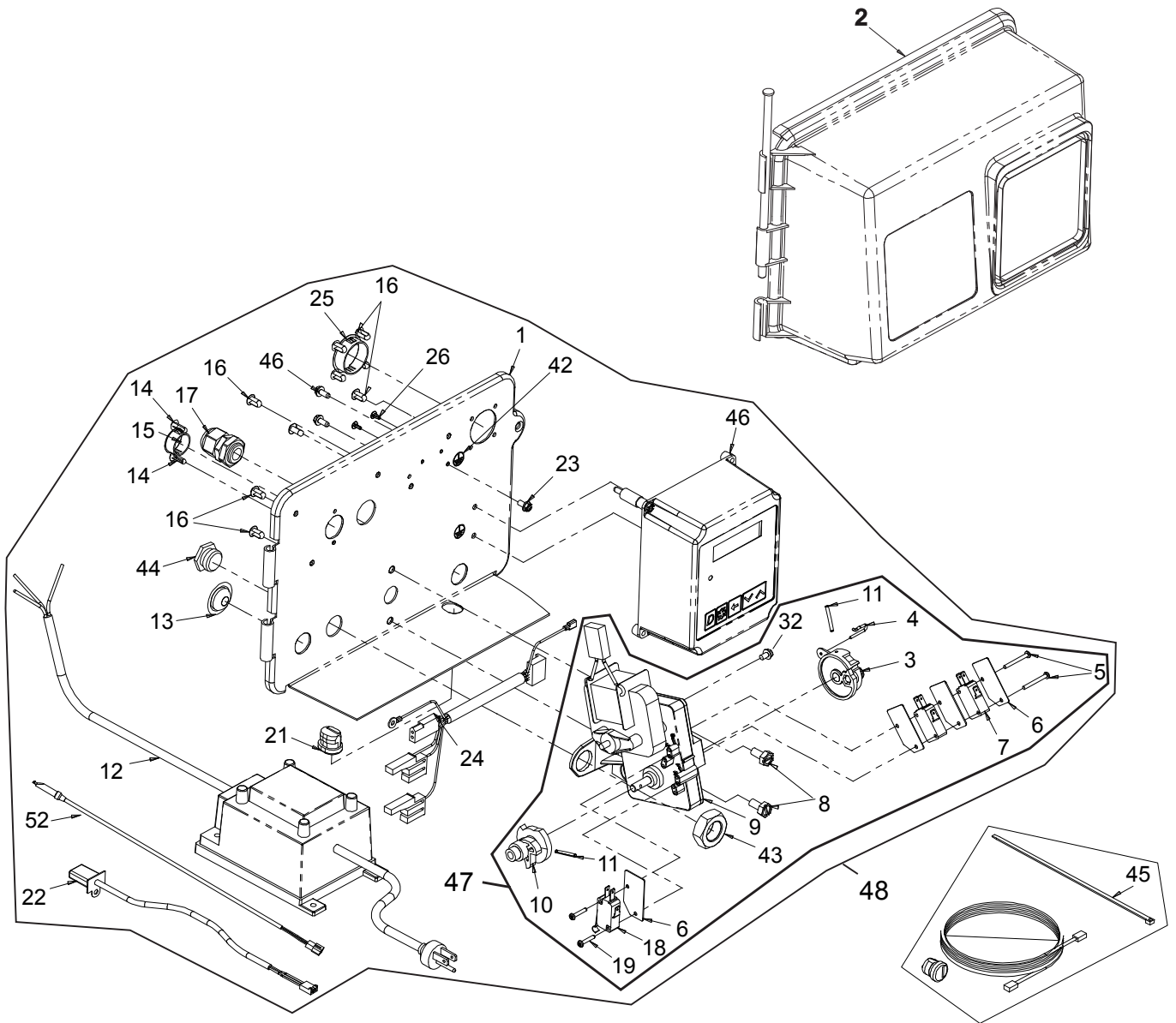
NXT2 WIRING DIAGRAM

*WIRING DIAGRAMS ARE REFERENCE ONLY. ALL WIRING SHOULD BE DONE BY A CERTIFIED ELECTRICIAN AND MEET ALL ELECTRICAL CODES.



MGT 45M – 450M 1-1/2" SINGLE NXT2 MAINTENANCE

2850 POWERHEAD ASSEMBLY



MGT 45M – 450M 1-1/2” SINGLE NXT2 MAINTENANCE

2850 POWERHEAD PARTS LIST

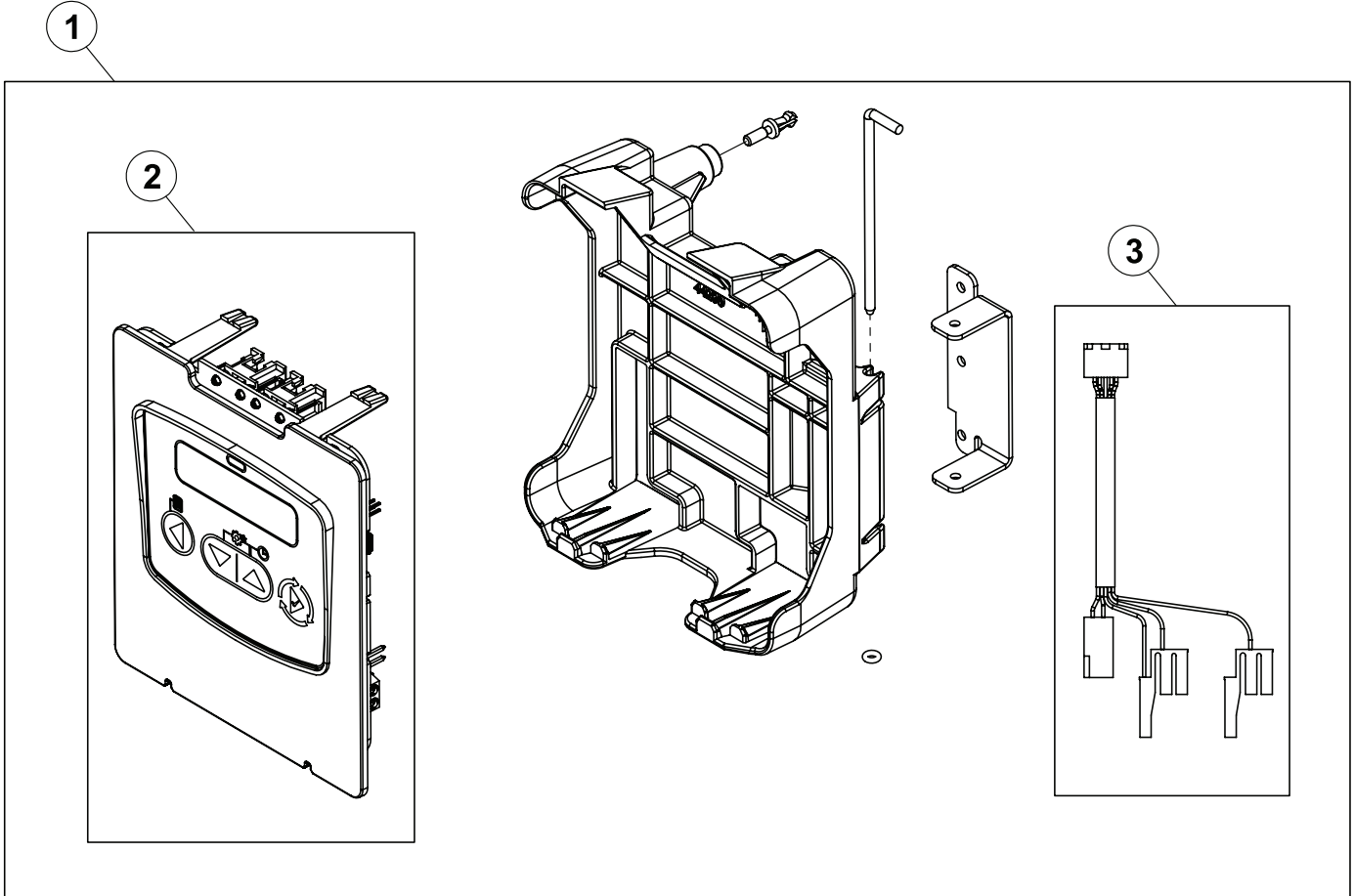
Item No.	QTY	Part No.	Description	Item No.	QTY	Part No.	Description
1	1	18697-15	Backplate, Hinged	40	1	42580	Motor, Drive, 24V, 50/60 Hz, Sp
2	1	60219-02	Cover Assy, Environmental, Black	41	1	14813	Pin, Spring, Connecting Rod
3	1	60160-15	Drive Cam Assy, Stf, Blue	42	1	41102	Label, 3200Nt, Ground
4	1	10909	Pin, Link	43	1	10269	Nut, Jam, 3/4 - 16
5	2	14923	Screw, Pan Hd Mach, 4-40 X 1	44	1	10712	Fitting, Brine Valve
6	5	10302	Insulator, Limit Switch	45	1	61763	Kit, Can Communication Cable
7	3	10218	Switch, Micro	46	1	62115	NXT2 Timer & Bracket Assembly
8	2	10231	Screw, Slot Hex, 1/4 - 20 X 1/2	47		60050-23	Drive Assy, 2750, 2850, 2900S Upper, STF, 24V 50/60 Hz
9	1	42579	Motor, Drive, 24V, 50/60 Hz			60050-26	Drive Assy, 2850S, STF, 24V 50/60 Hz
10	1	12777	Cam, Shut-Off Valve	48	*		Powerhead Assy, 2750, 2850, 2900S Upper
11	2	10338	Pin, Roll, 3/32 X 7/8		*		Powerhead Assy, 2850S
12	1		transformer, US, 120V, 24V, 108VASee Service Assemblies on page 39. transformer, euro, 230V/24V 108VASee Service Assemblies on page 39. transformer, aust, 230V/24V, 108VASee Service Assemblies on page 39.	49	*		Powerhead Assy, Lower 2900S
13	1	19691	Plug, .750 Dia, Recessed, Black	50	*		Powerhead Assy, Upper and Lower 2900S
14	2	19800	Plug, .140 Dia, White	51		60055-53	Lower Drive Assy, 2900, 24/60
15	1	15806	Plug, Hole, Heyco #2693	52	1	19791	Meter Cable Assembly, 19791-02.....Meter Cable Assembly, 28 inch long with connector 19791-04.....Meter Cable Assembly, 100 inch long with connector 19791-05.....Meter Cable Assembly 304 inch long with connector
16	9	19801	Plug, .190 Dia, White, Heyco #0307				
17	1	17967	Fitting Assy, Liquid Tight, Blk				
18	1	10896	Switch, Micro				
19	4	11805	Screw, Rd Hd, 4-40 X 5/8 Type 1				
20	1	40943	Wire Harness, Lower Drive, W/ Molded Strain Relief				
21	1	13547	Strain Relief, Flat Cord, Heyco #30-1				
22	1	19121	Meter Cable Assembly, 19121-08.....Meter Cable Assembly, 35 inch long with connector 19121-09.....Meter Cable Assembly, 100 inch long with connector 19121-10.....Meter Cable Assembly 304 inch long with connector				
23	1	14202-01	Screw, Hex Wsh Mach, 8-32 X 5/16				
24	1	40941	Wire Harness, Upper Drive				
25	1	17421	Plug, 1.20 Hole, Heyco #2733				
26	2	41581	Plug, Hole, .125 Dia, White				
27	1	60217-02	Cover Assy, 2900, Lower, Black, Environmental				
28	1	18626	Spacer, Indicator				
29	1	18746	Bearing, Connecting Rod				
30	2	11224	Screw, Hex Hd 5/16 - 18 X 5/8, Ss				
31	1	10250	Ring, Retaining				
32	7	10872	Screw, Hex Wsh, 8-32 X 17/64				
33	1	18709	Backplate, Lower				
34	1	11381	Pin, Roll, 2900/3900				
35	1	14759	Link, Piston Rod				
36	1	14769	Bracket, Motor, 2900				
37	1	14775	Cam, Drive, 2900				
38	2	16346	Nut, Hex, Jam, 5/16-18, 18-8-Ss				
39	1	18725	Indicator, Service/Standby				

*Call you distributor for a Part Number

NOTE: For all other service part numbers, see the Service Manual that accompanies the control valve.

**MGT 45M – 450M 1-1/2” SINGLE NXT2
MAINTENANCE**

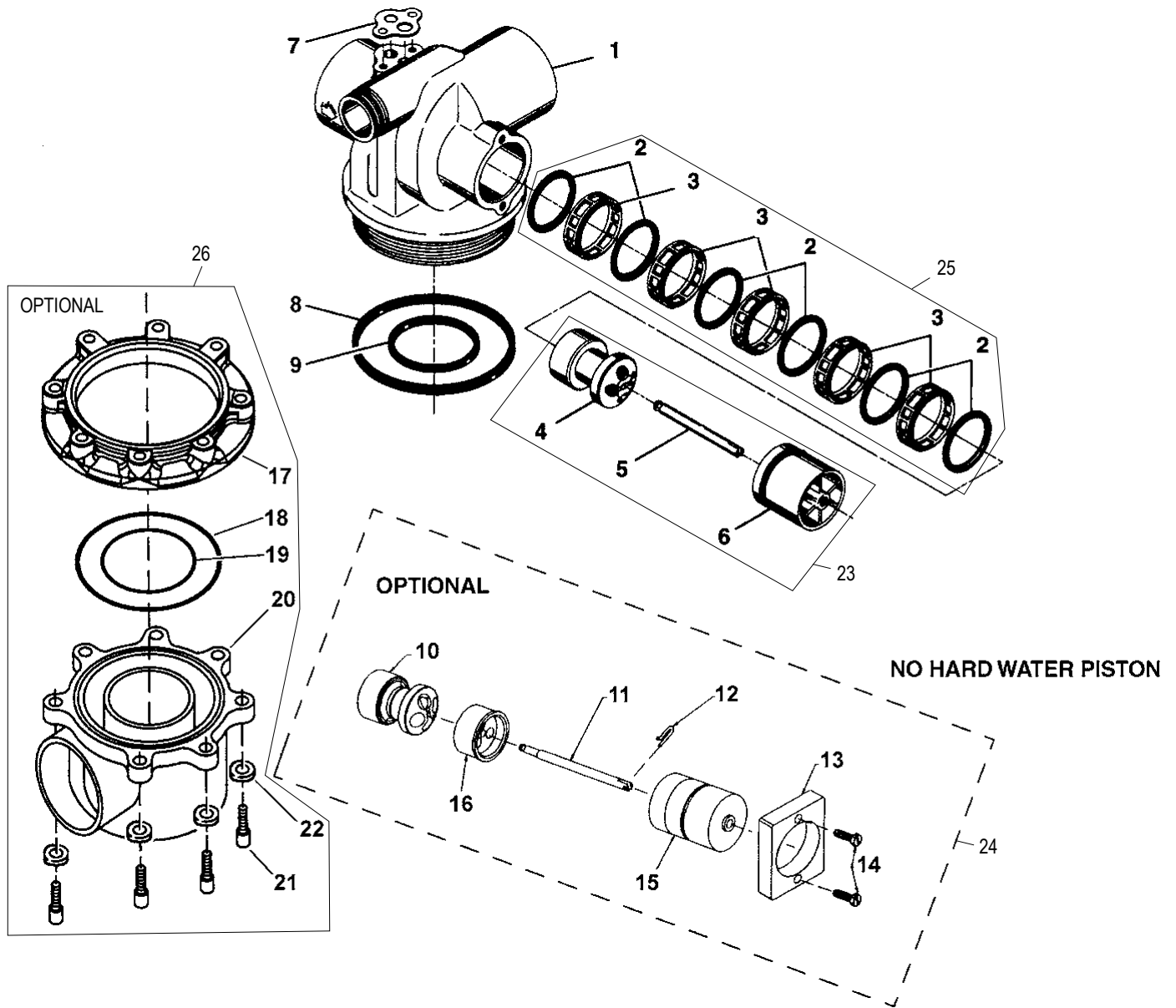
**NXT2 TIMER ASSEMBLY
(2510, 2750, 2850, 2900, 3150 & 3900 VALVES)**



Item No.	QTY	Part No.	Description
1	1	62115	Timer Assy, NXT2 Service Assemblies
2	1	62120	Control Panel Assy, NXT2, Programmed
3	1	40941	Wire Harness, Upper Drive

MGT 45M – 450M 1-1/2" SINGLE NXT2 MAINTENANCE

2850 CONTROL VALVE WITH 1700 INJECTOR ASSEMBLY



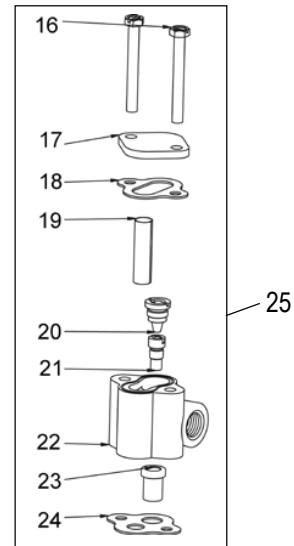
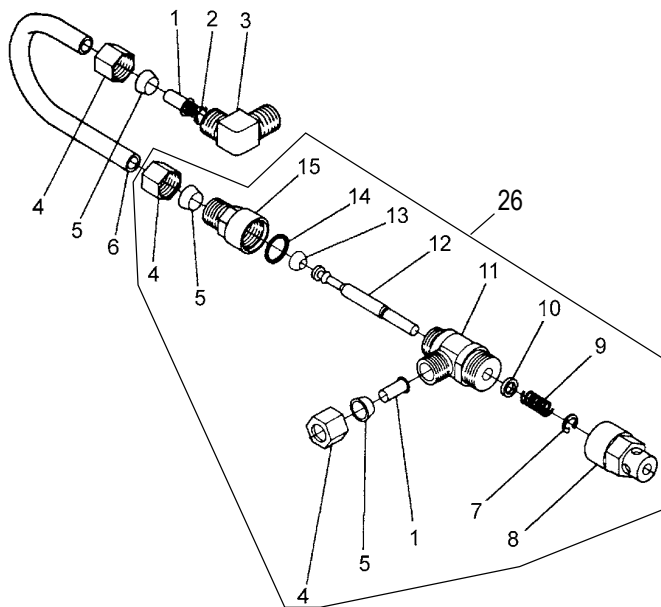
MGT 45M – 450M 1-1/2” SINGLE NXT2 MAINTENANCE

2850 CONTROL VALVE WITH 1700 INJECTOR ASSEMBLY PARTS LIST

Item No.	QTY	Part No.	Description	Item No.	QTY	Part No.	Description
1	1	16250-01	Valve Body, 2850, Machd			60129-30	Seal and Spacer Kit 2850, Plastic Spacers, 559 PE Seals
2	6	16101	Seal, 2850				
3	5	16638	Spacer, 9500/2850	26		61415	Adapter Assy, Sidemount, 2850, 2900 NPT
4	1	19606	Piston, 2850			61415-20	Adapter Assy, Sidemount, 2850, 2900 BSP
5	1	16436	Piston, 2850	Not Shown			
6	1	16395	End Plug Assy, 2850	1		60366-00	DLFC 1-inch NPT Blank
	1	16395-01	End Plug Assy, 2850, Hot Water			60366-35	DLFC, 1-inch F x 3/4-inch F, NPT, 3.5 gpm Brass
7	1	14805	Gasket, Injector Body, 1600/1700			60366-40	DLFC, 1-inch F x 3/4-inch F, NPT, 4.0 gpm Brass
8	1	16455	O-ring, -347			60366-45	DLFC, 1-inch F x 3/4-inch F, NPT, 4.5 gpm Brass
*9	1	13577	O-ring, -226			60366-50	DLFC, 1-inch F x 3/4-inch F, NPT, 5.0 gpm Brass
10	1	19606	Piston, 2850,			60366-60	DLFC, 1-inch F x 3/4-inch F, NPT, 60 gpm Brass
11	1	19300	Rod, Piston, 2850			60366-70	DLFC, 1-inch F x 3/4-inch F, NPT, 70 gpm Brass
12	1	10909	Pin, Link			60366-8.0	DLFC, 1-inch F x 1-inch F, NPT, 8.0 gpm Brass
13	1	19339	Spacer, 2850, NHWBP			60366-9.0	DLFC, 1-inch F x 1-inch F, NPT, 9.0 gpm Brass
14	2	13386	Screw, Hex Hd Mach, 1/4 - 20x1			60366-10	DLFC, 1-inch F x 1-inch F, NPT, 10 gpm Brass
15	1	16395-02	End Plug Assy/2850, NHWBP			60366-12	DLFC, 1-inch F x 1-inch F, NPT, 12 gpm Brass
16	1	19298-01	Piston Assy, 2850, NHWBP, O-ring			60366-15	DLFC, 1-inch F x 1-inch F, NPT, 15 gpm Brass
17	1	40316	Adapter, Sidemount			60366-20	DLFC, 1-inch F x 1-inch F, NPT, 20 gpm Brass
18	1	40368	O-ring, -160, Sidemount, Flange			60366-25	DLFC, 1-inch F x 1-inch F, NPT, 25 gpm Brass
19	1	40372	O-ring, -142			13640	1-inch F x 1-inch F Flow Control, 30 gpm
20	1	40310	Base, 2850/2900/3930, Rotating			60711-35	DLC, 2-inch, NPT, 35 gpm
21	7	19768	Screw, Hex Hd, 3/8-16x1, Cap 18-8			60711-40	DLC, 2-inch, NPT, 40 gpm
22	7	40375	Washer, Flat, 3/8, Type A, N-SERS			60711-45	DLC, 2-inch, NPT, 45 gpm
23		60105	Piston Assy, 2850 HWBP	1		17996	Dispenser, Air, Injector
		60105-01	Piston Assy, 2850, Hot Water	1		19608-15	Dispenser, Commercial 1-1/2 inch 2850/2900/9500
24		60114-00	Piston Assy, 2850, Filter, Conversion, NHWBP	* Do not use O-ring if control is side mounted.			
		60114-01	Piston Assy, 2850, Piston Assy, NHWBP, Replacement				
		600114-02	Piston Assy, 2850, Piston Assy, NHWBP, 1600				
		60114-03	Piston Assy, 2850, Piston Assy, NHWBP, 1700				
25		60129	Seal and Spacer Kit, 2850 Used for Cold and Hot Water				
		60129-20	Seal and Spacer Kit, 2850 Plastic Spacers				

MGT 45M – 450M 1-1/2” SINGLE NXT2 MAINTENANCE

1600 SERIES BRINE SYSTEM



60029 Rev C

Item No.	QTY	Part No.	Description
1	2	10332	Fitting, Insert, 3/8
2	1	12767	Screen, Brine
3	1	10328	Fitting, Elbow, 90 Deg. 1/4 PT x 3/8 Tube
4	3	10329	Fitting, Tube, 3/8 Nut, Brass
5	3	10330	Fitting, Sleeve, 3/8 Celcon
6	1	16508	Tube, Brine, 1600, PVC
	1	16508-01	Tube, Brine Valve, 2850/2900s
	1	12774	Tube, Brine Valve, 1500
	1	40027	Tube, Brine Valve, 2510
	1	15221	Tube, Brine Valve, 2750/2900
	1	42184	Tube, Brine Valve, 2850s
	1	41683*	Tube, Brine Valve, UF, 1600/1650
7	1	10250	Ring, Retaining
8	1	11749	Guide, Brine Valve Stem
9	1	10249	Spring, Brine Valve
10	1	12550	Quad Ring, -009
11	1	12748	Brine Valve Body Assy, 1600 w/Quad Ring
12	1	12552-02	Brine Valve Stem, 1600, with seat
13	1	12626	Seat, Brine Valve
14	1	11982	O-ring, -016
15	1	60020-25	BLFC, .25 GPM, 1600

Item No.	QTY	Part No.	Description
1	1	60020-50	BLFC, .50 GPM, 1600
1	1	60020-100	BLFC, 1.0 GPM, 1600
16	2	10692	Screw, Slot Hex Hd, 10 - 24X 18-8 Stainless Steel
17	1	11893	Cap, Injector, SS
18	1	10229	Gasket, Injector Cap, 1600
19	1	10227	Screen, Injector
20	1	10913-000	Nozzle, Injector, #000, Brown
		10913-00	Nozzle, Injector, #00, Violet
		10913-0	Nozzle, Injector, #0, Red
		10913-1	Nozzle, Injector, #1, White
		10913-2	Nozzle, Injector, #2, Blue
		10913-3	Nozzle, Injector, #3, Yellow
		10913-4	Nozzle, Injector, #4, Green
		12973-0	Nozzle, Injector, #0, PVC Grey
		12973-1	Nozzle, Injector, #1, PVC Grey
		12973-2	Nozzle, Injector, #2, PVC Grey
		12973-3	Nozzle, Injector, #3, PVC Grey
		12973-4	Nozzle, Injector, #4, PVC Grey
		10225-0	Nozzle, Injector, #0, Stainless

MGT 45M – 450M 1-1/2” SINGLE NXT2 MAINTENANCE

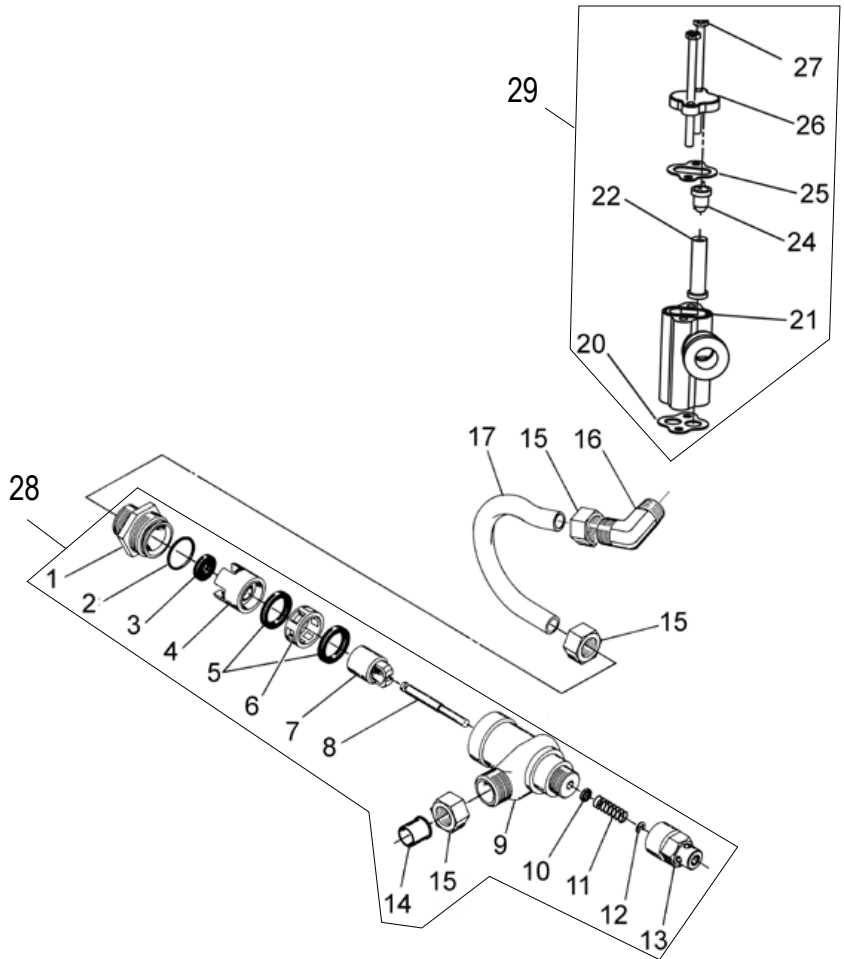
1600 SERIES BRINE SYSTEM (continued)

Item No.	QTY	Part No.	Description	Item No.	QTY	Part No.	Description
			Steel				
		10225-1	Nozzle, Injector, #1, Stainless Steel	25		60480-01	Injector Assy, 1600, #1 Plastic
		10225-2	Nozzle, Injector, #2, Stainless Steel			60480-02	Injector Assy, 1600, #2 Plastic
		10225-3	Nozzle, Injector, #3, Stainless Steel			60480-03	Injector Assy, 1600, #3 Plastic
		10225-4	Nozzle, Injector, #4, Stainless Steel			60480-04	Injector Assy, 1600, #4 Plastic
21	1	10914-000	Throat, Injector, #000, Brown			60481-21	Injector Assy, 1600, #1, S.S. Brass
		10914-00	Throat, Injector, #00, Violet			60481-22	Injector Assy, 1600, #2, S.S. Brass
		10914-0	Throat, Injector, #0, Red			60481-23	Injector Assy, 1600, #3, S.S. Brass
		10914-1	Throat, Injector, #1, White			60080-11	Injector Assy, 1600, #1, PVC
		10914-2	Throat, Injector, #2, Blue			60080-12	Injector Assy, 1600, #2, PVC
		10914-3	Throat, Injector, #3, Yellow	26		60080-14	Injector Assy, 1600, #4, PVC
		10914-4	Throat, Injector, #4, Green			60029-010	Brine Valve, 1600, 0.25 gpm
		12974-0	Throat, Injector, #0, PVC Grey			60029-020	Brine Valve, 1600, 0.50 gpm
		12974-1	Throat, Injector, #1, PVC Grey			60029-030	Brine Valve, 1600, 1.0 gpm
		12974-2	Throat, Injector, #2, PVC Grey				
		12974-3	Throat, Injector, #3, PVC Grey				
		12974-4	Throat, Injector, #4, PVC Grey				
		10226-0	Throat, Injector, #0, Stainless Steel				
		10226-1	Throat, Injector, #1, Stainless Steel				
		10226-2	Throat, Injector, #2, Stainless Steel				
		10226-3	Throat, Injector, #3, Stainless Steel				
		10226-4	Throat, Injector, #4, Stainless Steel				
22	1	17776	Body, Injector, 1600				
	1	17776-02*	Body, Injector, 1600 Upflow				
23	1	16221	Dispenser, Air				
24	1	14805	Gasket, Injector Body, 1600/1700				

*Upflow Only

MGT 45M – 450M 1-1/2” SINGLE NXT2 MAINTENANCE

1700 BRINE SYSTEM ASSEMBLY



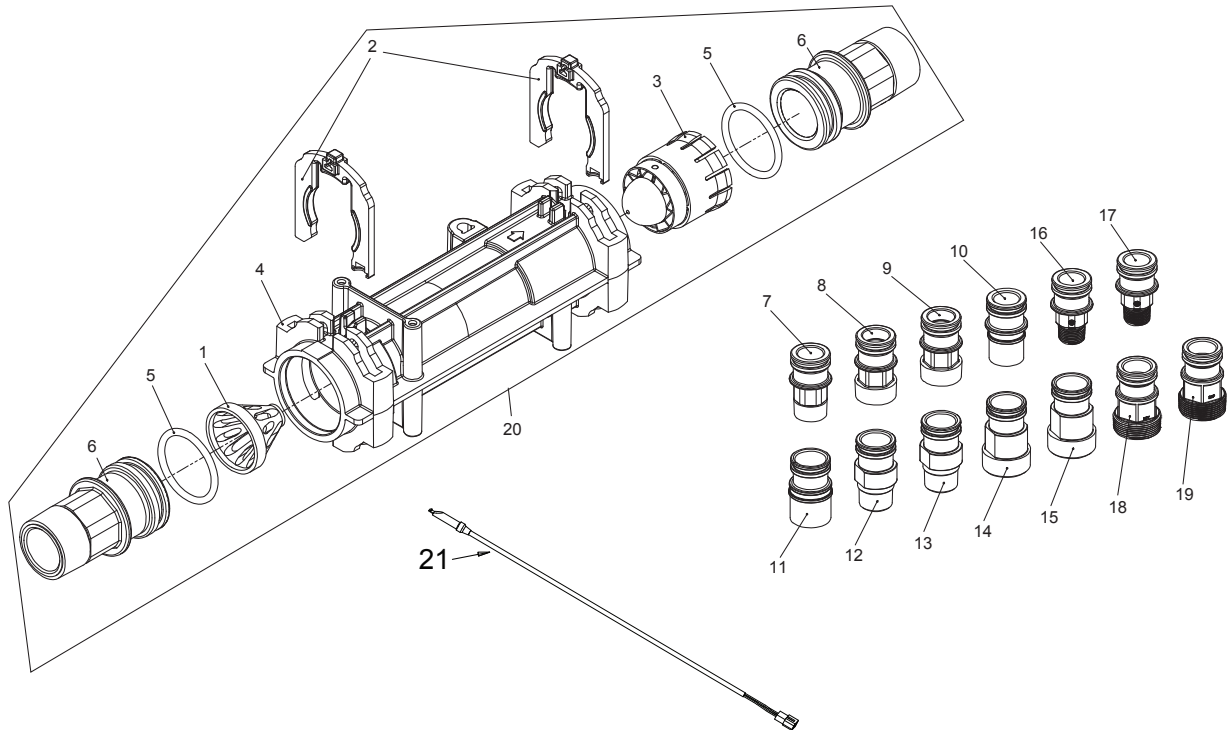
MGT 45M – 450M 1-1/2” SINGLE NXT2 MAINTENANCE

1700 BRINE SYSTEM ASSEMBLY PARTS LIST

Item No.	QTY	Part No.	Description	Item No.	QTY	Part No.	Description
1	1	14792	Plug, End, Brine Valve	27	2	14804	Screw, Hex Hd Mach, 10 - 24 x 2-3/4-inch 18-8 Stainless Steel
2	1	13201	Quad Ring, -020	28	1	60034-00	Brine Valve, 1700, Blank
3	1	12085	Washer, Flow, 1.2 GPM			60034-10	Brine Valve, 1700, 1.0 gpm
	1	12086	Washer, Flow, 1.5 GPM			60034-12	Brine Valve, 1700, 1.2 gpm
	1	12087	Washer, Flow, 2.0 GPM			60034-15	Brine Valve, 1700, 1.5 gpm
	1	12088	Washer, Flow, 2.4 GPM			60034-20	Brine Valve, 1700, 2.0 gpm
	1	12089	Washer, Flow, 3.0 GPM			60034-24	Brine Valve, 1700, 2.4 gpm
	1	12090	Washer, Flow, 3.5 GPM			60034-30	Brine Valve, 1700, 3.0 gpm
	1	12091	Washer, Flow, 4.0 GPM			60034-40	Brine Valve, 1700, 4.0 gpm
	1	12092	Washer, Flow, 5.0 GPM			60034-50	Brine Valve, 1700, 5.0 gpm
4	1	14785	Retainer, Flow Control	29	1	60381-03	Injector Assy, 1700, #3c, Complete
5	3	14811	O-ring, -210, 560CD, Brine			60381-04	Injector Assy, 1700, #4c, Complete
6	1	14798	Spacer, 1700, Brine			60381-05	Injector Assy, 1700, #5c, Complete
7	1	14795	Piston, Brine Valve			60381-06	Injector Assy, 1700, #6c, Complete
8	1	14797	Brine Valve Stem	Not Shown:			
9	1	14790	Brine Valve Body	1	16974	Fitting, Plastic, Female, 3/4 x 3/4 Slip	
10	1	12550	Quad Ring, -009	1	17996	Dispenser, Air, Injector	
11	1	15310	Spring, Brine Valve	*Upflow Only			
12	1	10250	Retaining Ring	NOTE: Item number 26 (11893) is used on injector sizes 2 through 5C. Part number 10228 is used on injector sizes 6C.			
13	1	15517	Guide, Stem				
14	1	15415	Fitting, Insert, 1/2-inch, Tube				
15	3	15414	Nut, 2900, w/Sleeve				
16	1	15413	Fitting, Elbow, Male, 1/2T x 3/8 NPT				
17	1	15416	Tube, Brine, 2900/2750				
	1	16460	Tube, Brine, 2850/2900s				
	1	41447*	Tube, Brine, 2900s, U/F				
	1	42183	Tube, Brine, 1700, 2850s				
20	1	14805	Gasket, Injector Body 1600/1700				
21	1	17777	Body, Injector, 1700				
	1	17777-02*	Body, Injector, 1700 U/F				
22	1	14802-03c	Throat, Injector, #3c, Yellow				
		14802-04c	Throat, Injector, #4c, Green				
		14802-05c	Throat, Injector, #5c, White				
		14802-06c	Throat, Injector, #6c, Red				
24		14801-03c	Nozzle, Injector, #3c, Yellow				
		14801-04c	Nozzle, Injector, # 4c, Green				
		14801-05c	Nozzle, Injector, # 5c, White				
		14801-06c	Nozzle, Injector, # 6c, Red				
25	1	10229	Gasket, Injector Cap, 1600				
26	1	11893	Cap, Injector, Stainless Steel				
	1	10228	Cap, Injector				

MGT 45M – 450M 1-1/2” SINGLE NXT2 MAINTENANCE

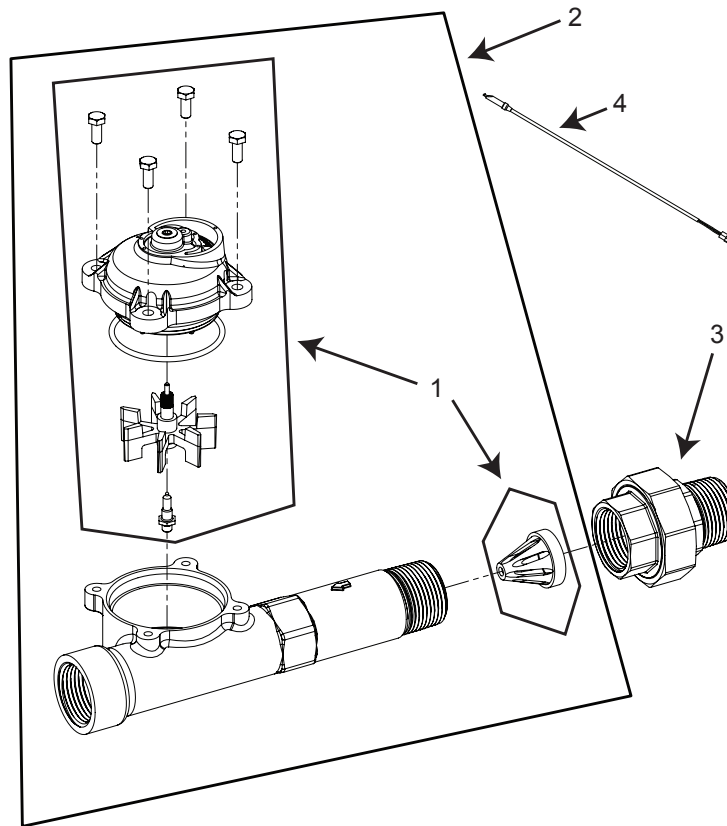
PLASTIC METER ASSEMBLY



Item No.	QTY	Part No.	Description	Item No.	QTY	Part No.	Description
1	1	17542	Flow Straightener, 1-1/2"	20	1	61560	Meter Assy, 1-1/2" INLN, ELEC, PLAS, w/o Nipples, TURB
2	2	40576	Clip, H, Plastic, 7000			61560-01	Meter Assy, 1", INLN, NPT, ELEC, PLAS, PLAS Nipples, TURB
3	1	40577	Turbine Meter Assy, 7000			61560-02	Meter Assy, 1", INLN, BSP, ELEC, PLAS, PLAS Nipples, TURB
4	1	41555	Body, Inline Meter			61560-03	Meter Assy, 1-1/4" INLN, NPT, ELEC, PLAS, PLAS Nipples, TURB
5	2	40951	O-ring, -220			61560-04	Meter Assy, 1-1/4" INLN, BSP, ELEC, PLAS, PLAS Nipples, TURB
6	2	40563-01	Connector Assy, 1" NPT, Plastic, w/O-ring			61560-05	Meter Assy, 1" & 1-1/4", INLN, SWT, ELEC, PLAS, SWT Nipples, TURB
7	2	40563-11	Connector Assy, 1" BSP, Plastic, w/O-ring			61560-06	Meter Assy, 1-1/4" & 1-1/2", INLN, SWT, ELEC, PLAS, SWT Nipples, TURB
8	2	40565-01	Connector Assy, 1-1/4" NPT, Plastic, w/O-ring			61560-07	Meter Assy, 1" INLN, NPT, ELEC, PLAS, BRS Nipples, TURB
9	2	40565-11	Connector Assy, 1-1/4" BSP, Plastic, w/O-ring			61560-08	Meter Assy, 1" INLN, BSP, ELEC, PLAS, BRS Nipples, TURB
10	2	41242-01	Connector Assy, 1" & 1-1/4", Sweat, w/O-ring			61560-09	Meter Assy, 1-1/2" INLN, NPT, ELEC, PLAS, BRS Nipples, TURB
11	2	41243	Connector, 1-1/4" & 1-1/2" Sweat, 7000			61560-10	Meter Assy, 1-1/2" INLN, BSP, ELEC, PLAS, BRS Nipples, TURB
		41243-01	Connector Assy, 1-1/4" & 1-1/2", Sweat, w/O-ring			61560-11	Meter Assy, 3/4" INLN, NPT, ELEC, PLAS, PLAS Nipples, TURB
12	2	61561	Connector Assy, 1" NPT, Brass, w/O-ring			61560-12	Meter Assy, 3/4" INLN, BSP, ELEC, PLAS, PLAS Nipples, TURB
13	2	61561-10	Connector Assy, 1" BSP, Brass, w/O-ring			61560-13	Meter Assy, 1-1/2", INLN, NPT, ELEC, PLAS, PLAS Nipples, TURB
14	2	61562	Connector Assy, 1-1/2" NPT, Brass, w/O-ring			61560-14	Meter Assy, 1-1/2" INLN, BSP, ELEC, PLAS, PLAS Nipples, TURB
15	2	61562-10	Connector Assy, 1-1/2" BSP, Brass, w/O-ring	21	1	19791	Meter Cable Assembly,
16	2	42414-01	Connector 3/4" NPT, Plastic, w/O-ring			19791-02	Meter Cable Assembly, 28 inch long with connector
17	2	42414-11	Connector, Assy, 3/4" BSP, Plastic, w/O-ring			19791-04	Meter Cable Assembly, 100 inch long with connector
18	3	42241-01	Connector Assy, 1-1/2" NPT, Plastic, w/O-ring			19791-05	Meter Cable Assembly 304 inch long with connector
19	3	42241-11	Connector Assy, 1-1/2" BSP, Plastic, w/O-Ring				

MGT 45M – 450M 1-1/2” SINGLE NXT2 MAINTENANCE

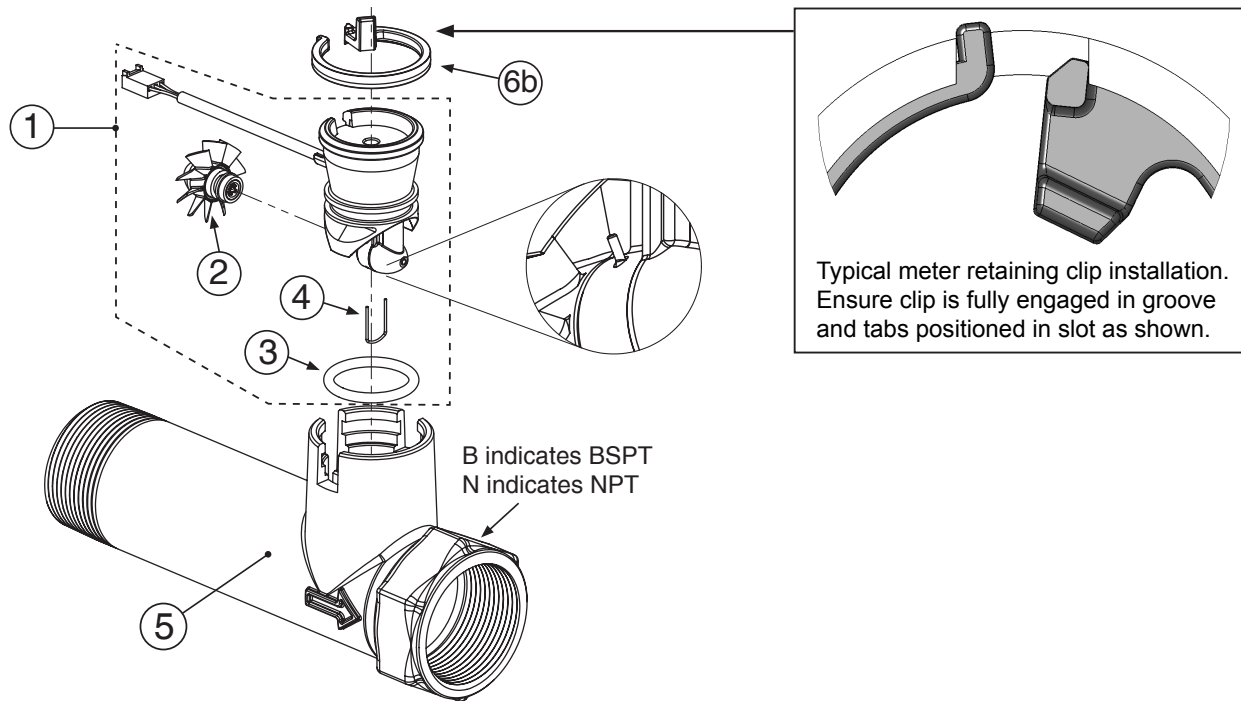
1-1/2 INCH STAINLESS STEEL METER ASSEMBLY



Item No.	QTY	Part No.	Description	Not Shown (optional)
1.....	1.....	62049-01.....	Service Kit, 1 inch & 1-1/2 inch Meter, Standard Range	1..... 62072..... Meter Sleeve, 1-1/2 inch to 1 inch (optional)
1.....	1.....	62049-02.....	Service Kit, 1 inch & 1-1/2 inch Meter, Extended Range	
2.....	1.....	61933-10.....	Meter Assy, 1-1/2 inch, Inline, Stainless Steel, NPT, Standard Range	
1.....	1.....	61933-11.....	Meter Assy, 1-1/2 inch, Inline, Stainless Steel, NPT, Extended Range	
1.....	1.....	61933-20.....	Meter Assy, 1-1/2 inch, Inline, Stainless Steel, BSP, Standard Range	
1.....	1.....	61933-21.....	Meter Assy, 1-1/2 inch, Inline, Stainless Steel, BSP, Extended Range	
3.....	1.....	44024.....	Union, 1-1/2 inch, NPT (Optional on models with electronic controls)	
1.....	1.....	44025.....	Union, 1-1/2 inch, BSP (Optional on models with electronic controls)	
4.....	1.....	19791.....	Meter Cable Assembly,	
		19791-02.....	Meter Cable Assembly, 28 inch long with connector	
		19791-04.....	Meter Cable Assembly, 100 inch long with connector	
		19791-05.....	Meter Cable Assembly 304 inch long with connector	

MGT 45M – 450M 1-1/2” SINGLE NXT2 MAINTENANCE

CLACK 1-1/2” TURBINE METER V3040-15 WS2 1-1/2” Meter NPT Assembly



Drawing Number	Part Number	Description	Quantity
	A2360069	1.5" NPT Meter, 15' Cable (V3040-15)	1
1	A2360061	Commercial meter assembly, 15' Cable (V3221)	1
2	A2100029	Commercial meter turbine assembly (V3118-03)	1
3	A2077178	O-ring, -215 (V3105)	1
4	V3501	Turbine clip	1
5	V3401-04	WS1.5 Meter Housing NPT	1
6b	A2411021	Meter Retaining Clip (v3632)	1

When Installing The Meter, Make Sure The Arrow On The Meter Body Is Going The Same Direction As The Water Flow.

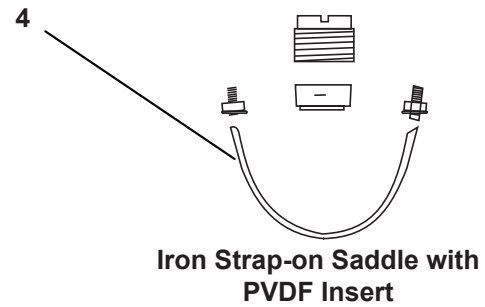
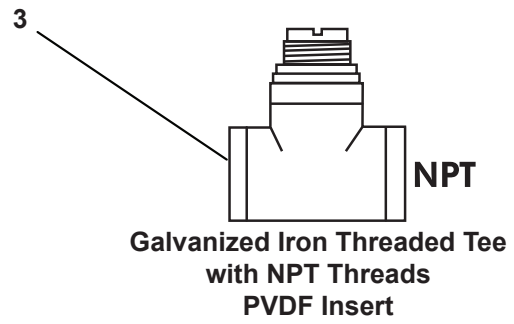
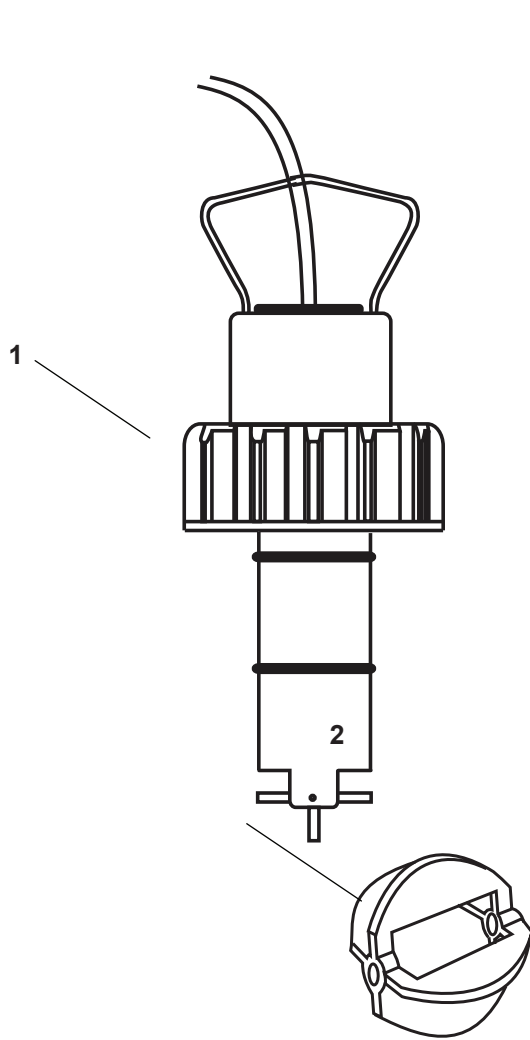
This Water Meter Should Not Be Used As The Primary Monitoring Device For Critical Or Health Effect Applications.

Operating Pressures: 20 Psi Minimum / 125 Psi Maximum Operating Temperatures: 40°F Minimum / 110°F Maximum

*The Meter Can Be Installed In Either Horizontal Or Vertical Applications.

**MGT 45M – 450M 1-1/2” SINGLE NXT2
MAINTENANCE**

2536 STANDARD MOUNT SENSOR



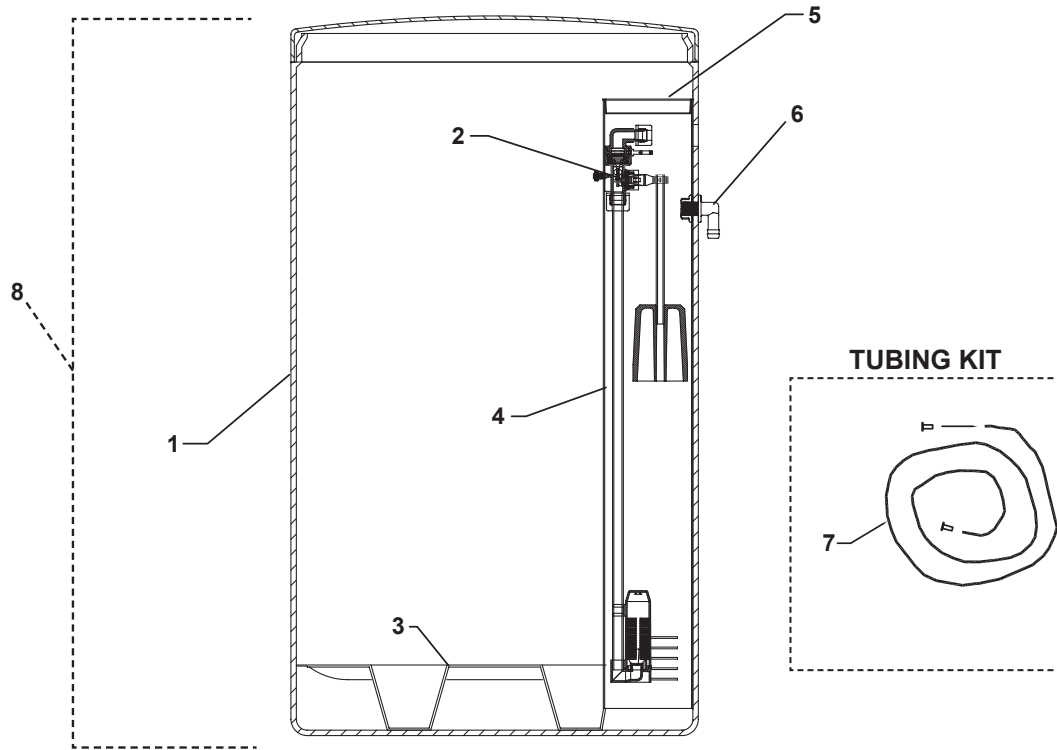
K-FACTOR TABLE - SIGNET 2536
(Pulses per Gallon)

PIPE SIZE (inches)	GENERIC FLOW METER SETTINGS		
	TEE GALVANIZED	TEE PVC	SADDLE IRON
1	213	352	
1-1/4	128	177	
1-1/2	94	118	
2	59	67	54
2-1/2		43	38
3		27	23

ITEM NUMBER	PART NUMBER	DESCRIPTION
1	A2296001	Flow Sensor
2	A2456004	Rotor/Paddle
3	A2294012	Tee Install 1 Galv
	A2294002	Tee Install 1-1/4 Galv
	A2294003	Tee Install 1-1/2 Galv
	A2294004	Tee Install 2 Galv
4	A2295001	Saddle 2-1/2 Iron
	A2295002	Saddle 3 Iron

MGT 45M – 450M 1-1/2” SINGLE NXT2 MAINTENANCE

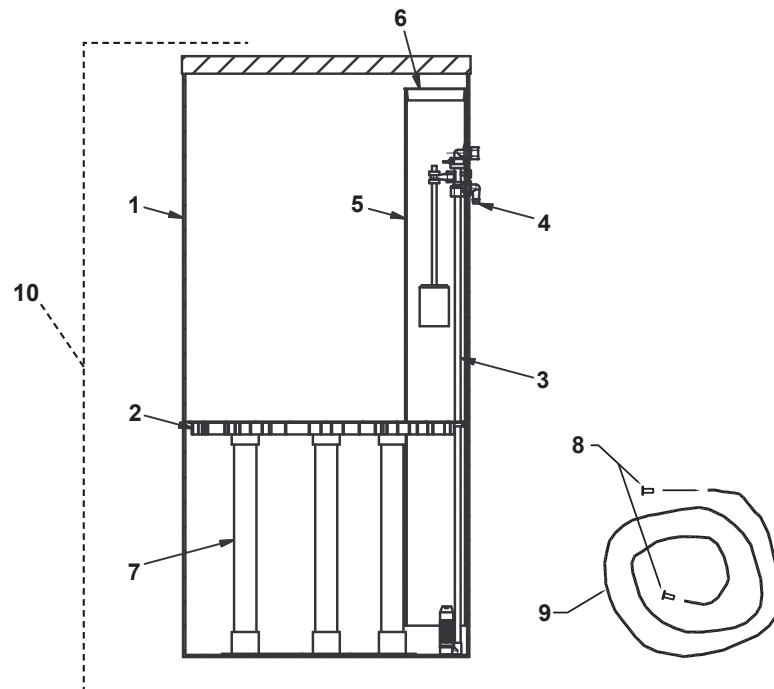
BRINE SYSTEM - MGT 45M-90M



Item Number	Description	Part Number
1	Brine Tank 18"x40"/Black Molded Cover - MGT 45 - 90M	A2042028
2	Brine Valve Assembly 474 w/ Aircheck - MGT 45M-90M	B1179005
3	5" Grid Plate - Plastic - MGT 45M-90M	A2284002
	6" Grid Extension - Plastic MGT 60-90	A2215007
4	Slotted Brine Well - 4" x 36" - MGT 45M-90M	A2071003
5	4" Brine Well Cap	A2072003
6	1/2" Overflow Elbow w/ Nut	A2250003
7	3/8" Tubing Kit	B1020001
8	Complete Brine Tank Assembly for MGT 45M	B1300023
	Complete Brine Tank Assembly for MGT 60M-90M	A2042064

MGT 45M – 450M 1-1/2” SINGLE NXT2 MAINTENANCE

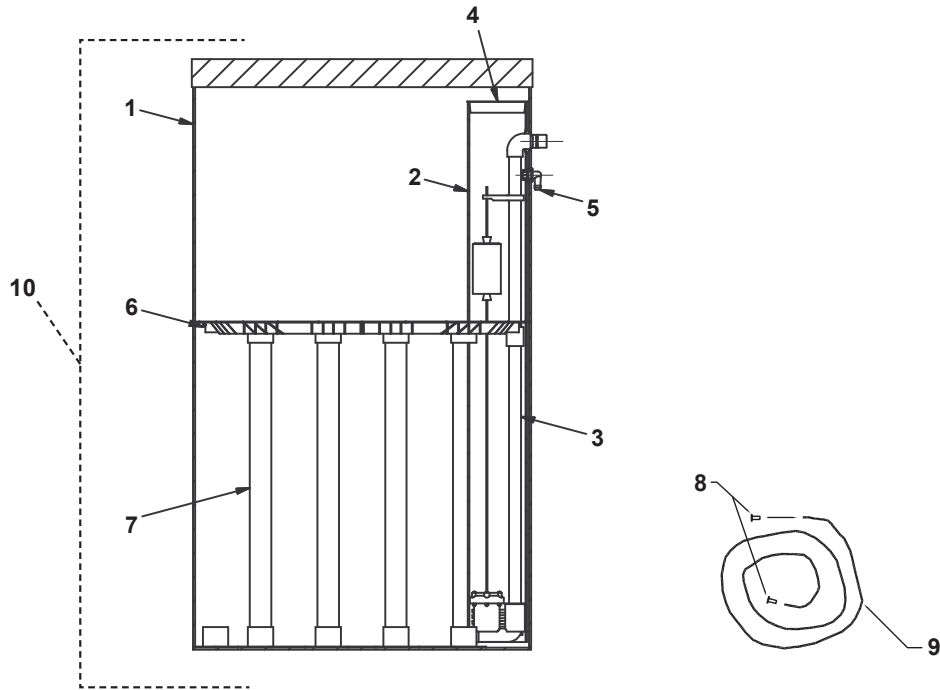
BRINE SYSTEM - MGT 120M-300M



Item Number	Description	Part Number
1	Brine Tank 24" x 41" w/ Holes - MGT 120M	B1002039
	Brine Tank 24"x50" w/ Holes - MGT 150M-300M	B1002016
2	24" Diameter 5BW Plastic Grid Plate	A2284007
3	Brine Valve (474) for MGT 120	B1180014
	Brine Valve (474) for MGT 150	B1180015
	Brine Valve (474) for MGT 180	B1180016
	Brine Valve (474) for MGT 210	B1180017
	Brine Valve (474) for MGT 240	B1180018
	Brine Valve (474) for MGT 270	B1180019
	Brine Valve (474) for MGT 300	B1180020
4	1/2" Overflow Elbow w/ Nut	A2250003
5	5" x 46" Drilled Brine Well	B1015008
6	5" Red Cap plug	A2072001
7	1-1/2" SDR or SCH40 DWV Pipe	A2275007
8	1/2" Poly Insert	A2476001
9	1/2" x 3/8" Black Poly Tubing	A2165002
10	Complete Brine Tank Assembly for MGT 120M (10" Shelf Height)	B1295015
	Complete Brine Tank Assembly for MGT 150M (13" Shelf Height)	B1295016
	Complete Brine Tank Assembly for MGT 180M (15" Shelf Height)	B1295017
	Complete Brine Tank Assembly for MGT 210M (18" Shelf Height)	B1295018
	Complete Brine Tank Assembly for MGT 240M (20" Shelf Height)	B1295019
	Complete Brine Tank Assembly for MGT 270M (23" Shelf Height)	B1295020
	Complete Brine Tank Assembly for MGT 300M (26" Shelf Height)	B1295021

MGT 45M – 450M 1-1/2” SINGLE NXT2 MAINTENANCE

BRINE SYSTEM - MGT 450M



Item Number	Description	Part Number
1	Brine Tank 30" x 50" w/ Holes - MGT 450M	B1002041
2	5" x 48" Drilled Brine Well	B1015005
3	Brine Valve Assembly 16-1/4" x 24"	B1042007
4	5" Red Cap plug	A2072001
5	1/2" Overflow Elbow w/ Nut	A2250003
6	30" Plastic Top/Bottom Grid Plate	A2284010
7	1-1/2" SDR or SCH40 DWV Pipe	A2275007
8	1/2" Poly Insert	A2476001
9	1/2" x 3/8" Black Poly Tubing	A2165002
10	Complete Brine Tank Assembly for MGT 450M	B1141009

MGT 45M – 450M 1-1/2” SINGLE NXT2 MAINTENANCE

SERVICE ASSEMBLIES

BRINE LINE FLOW CONTROLS

A2389002 1.0 GPM FOR 1600 (45-120) (60020-100)
A2505008 2.0 GPM FOR 1700 (150-300) (12087)
A2505014 5.0 GPM FOR 1700 (450) (12092)

BRINE VALVES

B1042012 Model 1600 brine valve assy. - 1 GPM (60029&60020-100)
A2254002 Model 1700 brine valve assy. - 2 GPM (60034-20)
A2254003 Model 1700 brine valve assy. - 5 GPM (60034-50)

CAM ASSEMBLY

A2300014 Drive Cam STF Blue (60160-15)

COVERS

A2103095 Environmental Cover (60219-02)

DRAIN LINE FLOW CONTROLS

A2253009 DLFC 1.0"FNPTx3/4"FNPT 3.5 GPM (45&60) (60366-35)
A2253010 DLFC 1.0"FNPTx3/4"FNPT 5.0 GPM (90) (60366-50)
A2253011 DLFC 1.0"FNPTx3/4"FNPT 6.0 GPM (120) (60366-60)
A2138011 DLFC 1.0"MNPT 8.0 GPM (150)
A2138013 DLFC 1.0"MNPT 12.0 GPM (210)
A2138014 DLFC 1.0"MNPT 15.0 GPM (240-300)
A2138023 DLFC 1.5"MNPT 25 GPM (450)

METER ASSEMBLIES

A2360067 Fleck 1-1/2" Plastic Meter Assy - Brass Ftgs (61560-09)
A2360082 Fleck 1-1/2" Stainless Steel Meter (61933-10)
A2360069 Clack 1-1/2" Stainless Steel Meter (V3040-15)

METER CABLES (FOR FLECK VALVES)

A2352092 Cable 30 inches (19791-02)

O-RINGS

A2077114 Valve Base O-Ring (16455)
A2077117 Distributor O-Ring (13577)

PISTON ASSEMBLIES

A2309004 Piston HWB Cold Water (60105)
A2309028 Piston HWB Hot Water (60105-01)
A2309037 Piston NHWB Cold Water (60114-01)

POWER SUPPLIES

A2242160 Power Supply US 120V, 24VDC (44164)
A2242161 Power Supply EU 220V, 24VDC (44415)

SEAL & SPACER KITS

A2435034 Seal & Spacer Kit Brass Hot & Cold (60129)
A2435084 Seal & Spacer Kit Plastic (60129-20)

SERVICE EQUIPMENT

A2475002 Stuffer Assy, 2850/9500 (16516)
A2474002 Puller Tool Assy, 2850/9500 (17623)
A2423002 Silicone 2.4 oz. Tube (16174)

TIMER ASSEMBLIES - NXT2

A2084089 NXT2 Timer & Bracket Assy (62115)
A2084088 NXT to NXT2 Conversion Kit (62121-01)

MGT 45M – 450M 1-1/2” SINGLE NXT2 MAINTENANCE

TROUBLESHOOTING

DETECTED ERRORS

NOTE: It can take up to 30 seconds for an error to be detected and displayed. All errors on each timer in the system must be displayed before the errors can be corrected.

If a communication error is detected, an Error Screen will appear.

- All units In Service remain in the In Service position.
- All units in Standby go to In Service.
- Any unit in Regeneration when the error occurs completes Regeneration and goes to In Service.
- No units are allowed to start a Regeneration Cycle while the error condition exists, unless they are manually forced into Regeneration.
- When an error is corrected and the error no longer displays (it may take several seconds for all of the units in a system to stop displaying the error message), the system returns to normal operation.

NOTE: During the error condition the control continues to monitor the flow meter and update the volume remaining. Once the error condition is corrected all units return to the operating status they were in prior to the error. Regeneration queue is rebuilt according to the normal system operation. Or, if more than one unit has been queued for regeneration, then the queue is rebuilt according to which one communicates first.

Message Displayed	Cause For Error	Correction
"Error Valve Count Mismatch"	Number of NXT2 detected does not match selected system type in Master Programming	"Push correct valve settings in Master Settings"
"Motor Stall No Changes Detected in the Optical Sensor for 6 Seconds"	The motor is on but no encoder pulses are detected within a given duration while homing.	Check the P11 connection and trigger a manual regeneration.
"Motor Run-On No CAM Switch Change Detected"	The motor is on but no encoder pulses are detected or CAM Switches change state within a given duration.	Verify correct valve type is chosen. Trigger a manual regeneration.
Optical Sensor Undesired change detected by the Optical Sensor	The motor is off but additional encoder pulses are detected.	Trigger a manual regeneration.
"Over-Current Motor Over-Current is Detected"	Motor current exceeds thresholds.	Trigger a manual regeneration.
"Flow Meter Error Continuous Flow Detected"	Flow exceeded specified threshold for a specific duration.	Trigger a manual regeneration.
"Error Send/Receive Failure"	During a setting push, a packet was missing.	Reconnect communication cables and push setting in Master Settings.
"Error System Type Mismatch on Network"	The system type among connected units does not match.	"Push correct system settings in Master Settings."
Microcontroller Error	Calibration or manufacturing test was not performed	Contact your Pentair representative.
100 Days Without Regen	100 Days have expired without a regeneration	Trigger a manual regeneration

MGT 45M – 450M 1-1/2” SINGLE NXT2 MAINTENANCE

TROUBLESHOOTING 2900 VALVE

PROBLEM	CAUSE	CORRECTION
1. Softener Fails To Regenerate.	<ul style="list-style-type: none"> A. Electrical Service To Unit Has Been Interrupted. B. Timer Is Defective. C. Power Failure. 	<ul style="list-style-type: none"> A. Assure Permanent Electrical Service (Check Fuse, Plug, Pull Chain or Switch). B. Replace Timer. C. Reset Time of Day.
2. Hard Water.	<ul style="list-style-type: none"> A. By-Pass Valve is Open. B. No Salt in Brine Tank C. Injector Screen Plugged. D. Insufficient Water Flowing Into Brine Tank E. Hot Water Tank Hardness. F. Leak At Distributor Tube. G. Internal Valve Leak H. Service Adapter Did Not Return To Service. 	<ul style="list-style-type: none"> A. Close By-Pass Valve. B. Add Salt To Brine Tank and Maintain Salt Level Above Water Level. C. Clean Injector Screen. D. Check Brine Tank Fill Time And Clean Brine Line Flow Control If Plugged. E. Repeated Flushings Of The Hot Water Tank is Required. F. Make Sure Distributor Tube Is Not Cracked. Check O-Ring And Tube Pilot. G. Replace Seals and Spacers And/ Or Piston. H. Check Drive Motor And Switch.
3. Unit Used Too Much Salt	<ul style="list-style-type: none"> A. Improper Salt Setting. B. Excessive Water in Brine Tank 	<ul style="list-style-type: none"> A. Check Salt Usage and Salt Setting. B. See Problem No. 7.
4. Loss Of Water Pressure.	<ul style="list-style-type: none"> A. Iron Buildup In Line To Water Conditioner. B. Iron Buildup in Water Conditioner. C. Inlet of Control Plugged Due to Foreign Material Broken Loose From Pipes By Recent Work Done On Plumbing System. 	<ul style="list-style-type: none"> A. Clean Line To Water Conditioner. B. Clean Control and Add Mineral Cleaner to Mineral Bed. Increased Frequency of Regeneration. C. Remove Piston and Clean Control.
5. Loss of Mineral Through Drain Line.	<ul style="list-style-type: none"> A. Air In Water System. B. Improperly Sized Drain Line Flow Control. 	<ul style="list-style-type: none"> A. Assure That Well System Has Proper Air Eliminator Control. Check For Dry Well Condition. B. Check For Proper Drain Rate.
6. Iron In Conditioned Water.	<ul style="list-style-type: none"> A. Fouled Mineral Bed. 	<ul style="list-style-type: none"> A. Check Backwash, Brine Draw And Brine Tank Fill. Increase Frequency of Regeneration. Increase Backwash Time.

**MGT 45M – 450M 1-1/2” SINGLE NXT2
MAINTENANCE**

TROUBLESHOOTING 2900 VALVE (CONTINUED)

PROBLEM	CAUSE	CORRECTION
7. Excessive Water In Brine Tank.	<ul style="list-style-type: none"> A. Plugged Drain Line Flow Control. B. Plugged Injector System. C. Timer Not Cycling. D. Foreign Material In Brine Valve. E. Foreign Material In Brine Line Flow Control. 	<ul style="list-style-type: none"> A. Clean Flow Control. B. Clean Injector and Screen. C. Replace Timer. D. Replace Brine Valve Seat And Clean Valve. E. Clean Brine Line Flow Control.
8. Softener Fails To Draw Brine.	<ul style="list-style-type: none"> A. Drain Line Flow Control Is Plugged. B. Injector Is Plugged. C. Injector Screen Plugged. D. Line Pressure Is Too Low. E. Internal Control Leak F. Service Adapter Did Not Cycle. 	<ul style="list-style-type: none"> A. Clean Drain Line Flow Control. B. Clean Injector. C. Clean Screen. D. Increase Line Pressure To 20 P.S.I. E. Change Seals, Spacers and Piston Assembly. F. Check Drive Motor And Switches.
9. Control Cycles Continuously.	<ul style="list-style-type: none"> A. Misadjusted, Broken or Shorted Switch. 	<ul style="list-style-type: none"> A. Determine If Switch or Timer Is Faulty and Replace It or Replace Complete Power Head.
10. Drain Flows Continuously.	<ul style="list-style-type: none"> A. Valve Is Not Programming Correctly. B. Foreign Material In Control. C. Internal Control Leak 	<ul style="list-style-type: none"> A. Check Timer Program and Positioning of Control. Replace Power Head Assembly If Not Positioning Properly. B. Remove Power Head Assembly And Inspect Bore. Remove Foreign Material and Check Control In Various Regeneration Positions. C. Replace Seals and Piston Assembly.

General Service Hints For Meter Control

Problem: Softener Delivers Hard Water.

Cause could be that . . . Reserve Capacity Has Been Exceeded.

Correction: Check salt dosage requirements and reset program wheel to provide additional reserve.

Cause could be that . . . Meter Is Not Measuring Flow.

Correction: Check meter with meter checker.

MGT 45M – 450M 1-1/2” SINGLE NXT2

NOTES

MGT 45M – 450M 1-1/2” SINGLE NXT2

NOTES

