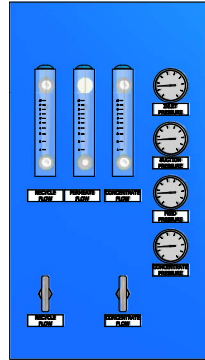
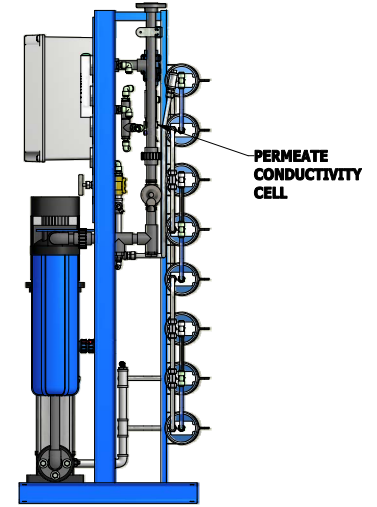
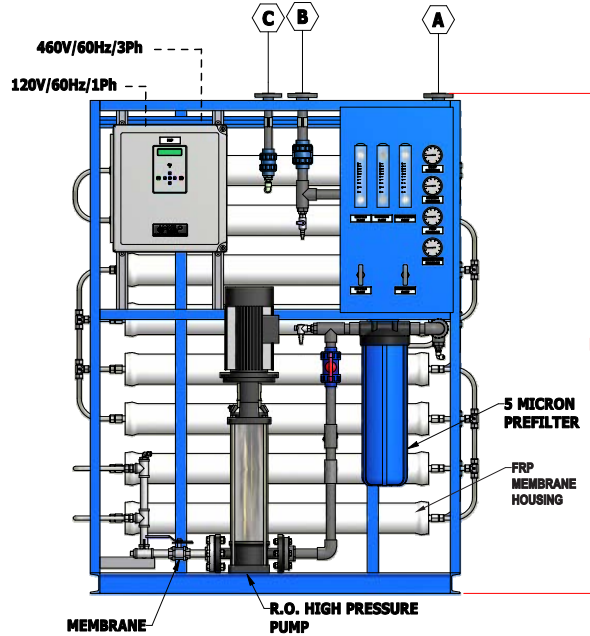
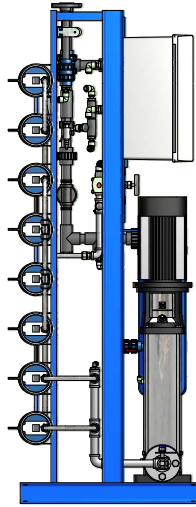
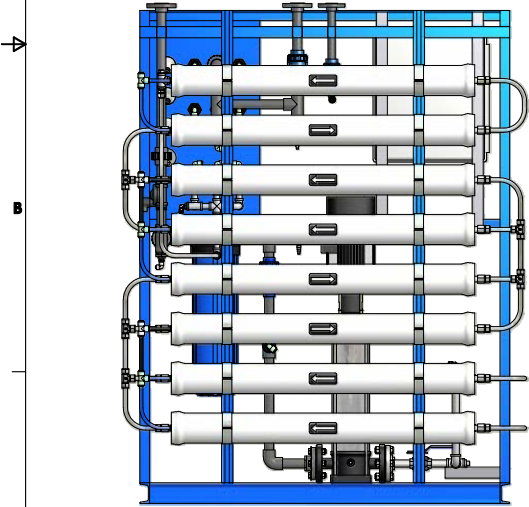
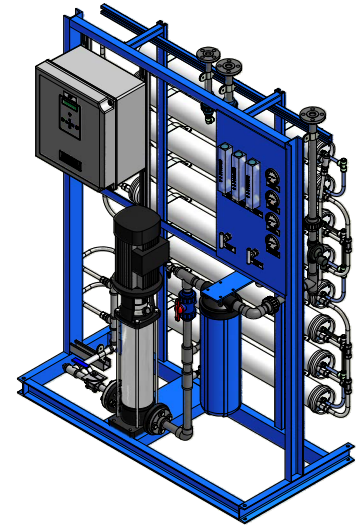
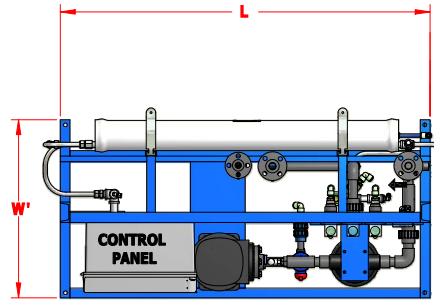


CONNECTION SCHEDULE						
ITEM	DESCRIPTION	LOCATION	MAX. FLOW	SIZE	CONNECTION	MATERIAL
A	RAW WATER INLET	R.O. SKID	GPM		150# FLANGE RF	PVC SCH 80
B	PERMEATE OUTLET	R.O. SKID	GPM		150# FLANGE RF	PVC SCH 80
C	CONCENTRATE OUTLET	R.O. SKID	GPM		150# FLANGE RF	PVC SCH 80

DIMENSION TABLE	MRO-_____
L = _____	
W = _____	
H = _____	



INSTRUMENT PANEL VIEW



REVISIONS				
NO.	DATE	BY	REVISIONS	REMARKS



MRO-4H RESERVE OSMOSIS GENERAL ARRANGEMENT			
FIG. NO.	SCALE	DWG. NO.	REV. 1 OF 1
APP. AGG	SCALE	DRAWING NO.	
DATE 7/24/2009			