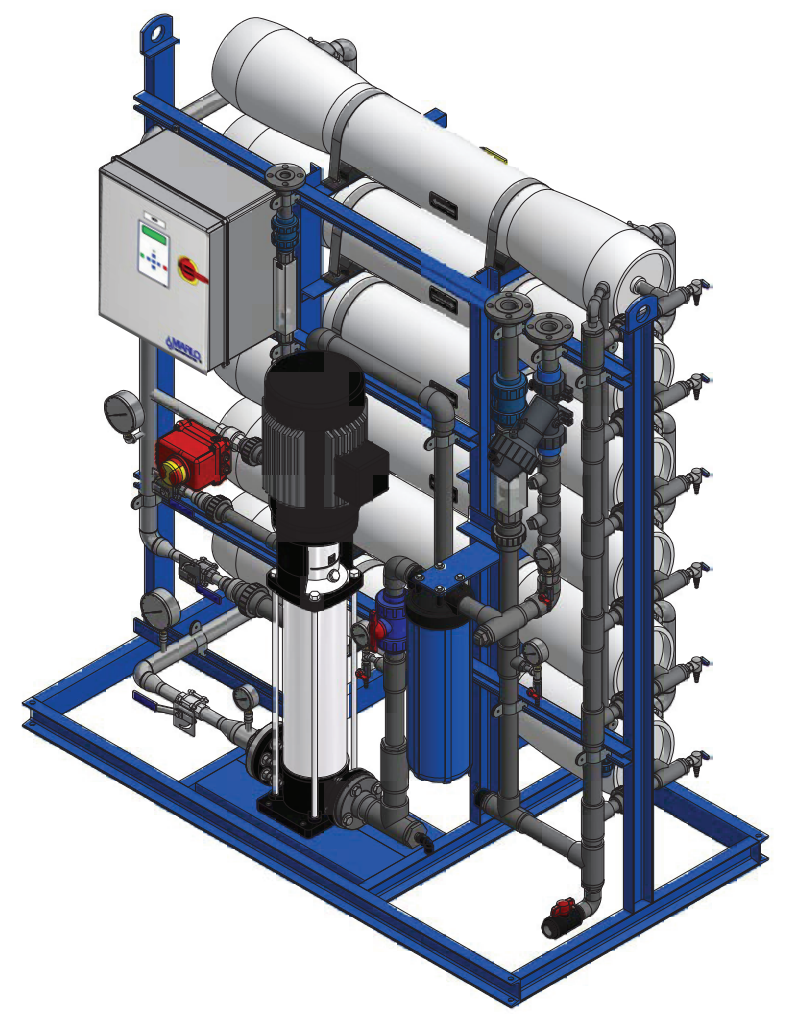
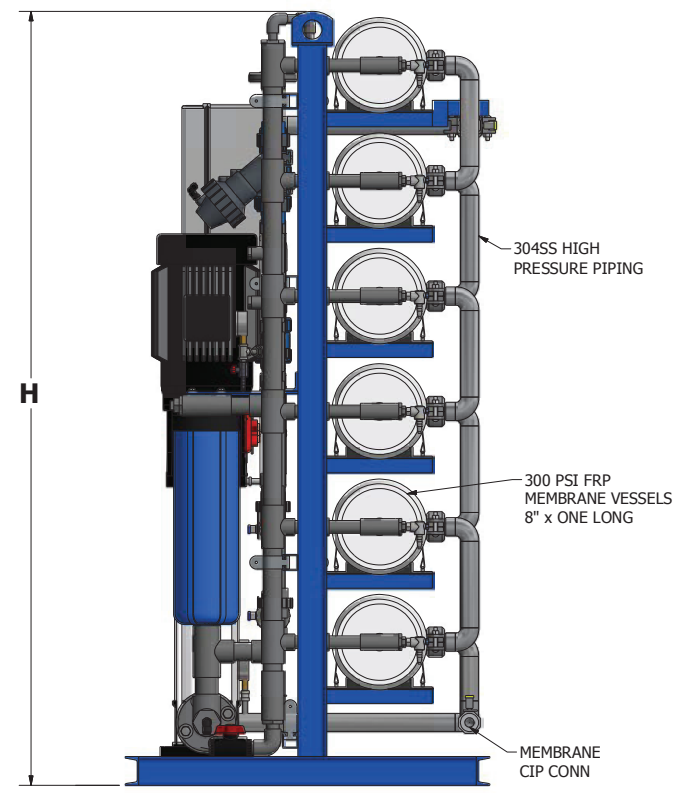
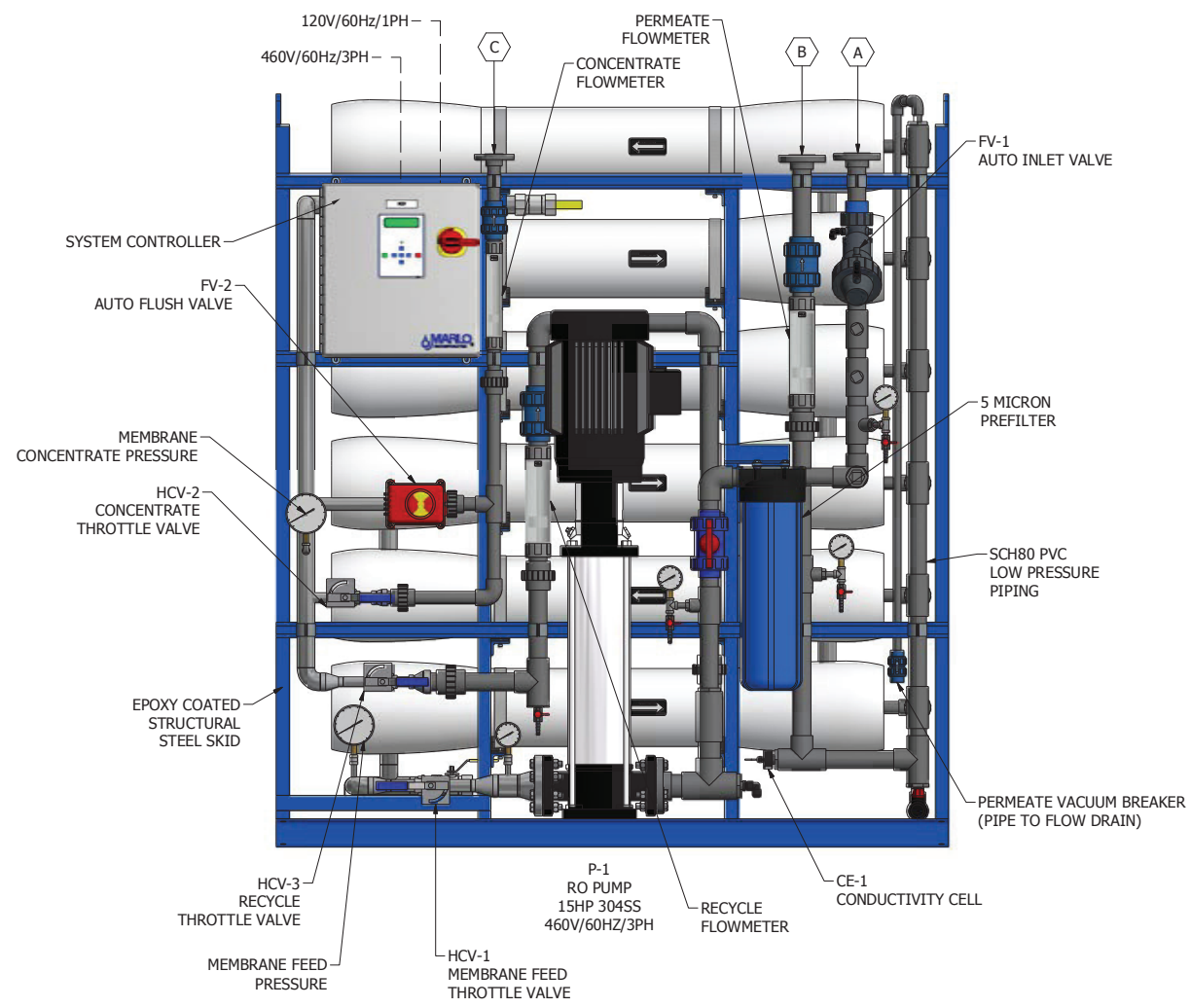


MODEL NUMBER	CAPACITY		ELEMENT QUANTITY	VESSEL QUANTITY	RO FEED GPM	RO REJECT GPM	SYSTEM PIPING CONNECTIONS (INCHES)			PUMP HP	OVERALL DIMENSIONS (INCHES)			SHIPPING WEIGHT LBS.
	GPM	GPD					A INLET FEED	B PERMEATE	C RO REJECT		LENGTH	WIDTH	HEIGHT	
MRO-22K-8H-1L	15	21,600	3	3	20	5	1 1/2	1	3/4	7.5	72	38	75	2,200
MRO-29K-8H-1L	20	28,800	4	4	27	7	1 1/2	1 1/2	1	10	72	38	75	2,300
MRO-36K-8H-1L	25	36,000	5	5	33	8	1 1/2	1 1/2	1	10	72	38	75	2,400
MRO-43K-8H-1L	30	43,200	6	6	40	10	1 1/2	1 1/2	1	15	72	38	81	2,500



REVISIONS			
NO.	DATE	BY	REMARKS



MRO-1L RO TREATMENT SKID GENERAL ARRANGEMENT			
FRAC.	DEC.	FILE ID.	
DRN.		SCALE	SHEET 1 OF 1
APPD.		DRAWING NO.	
DATE	7/20/2017		