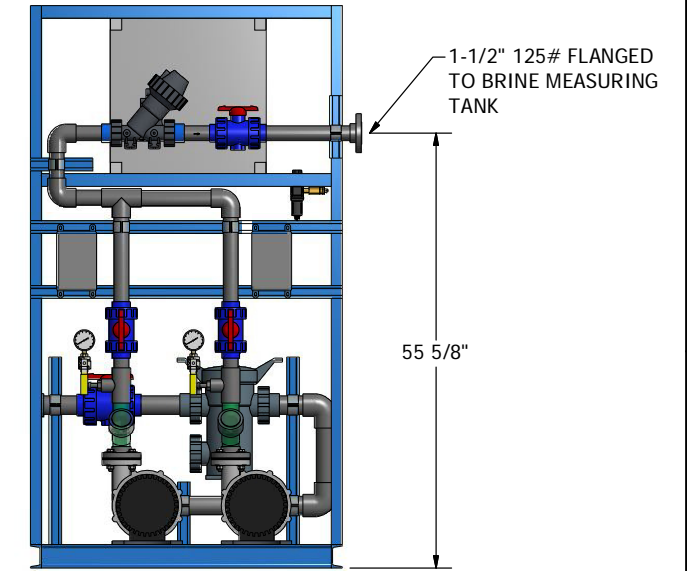
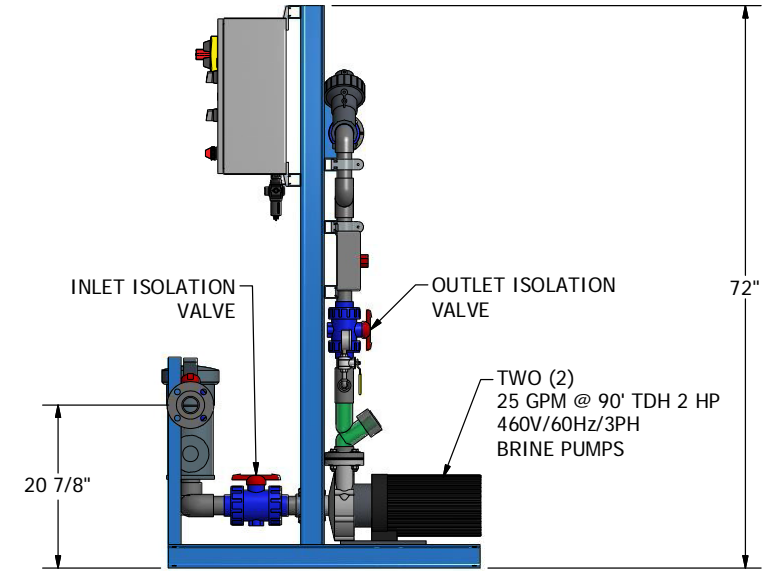
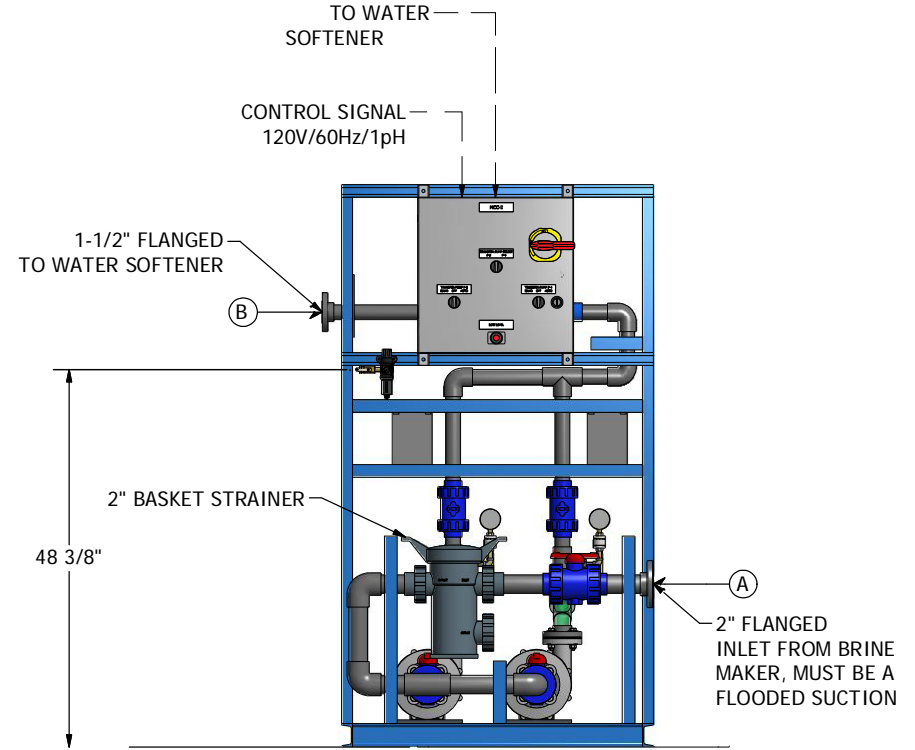
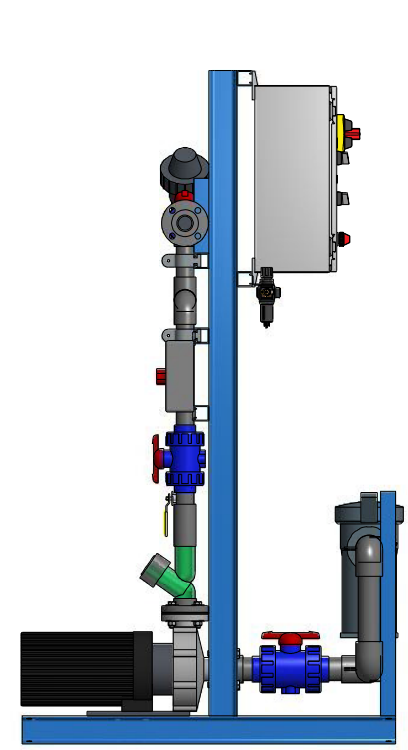
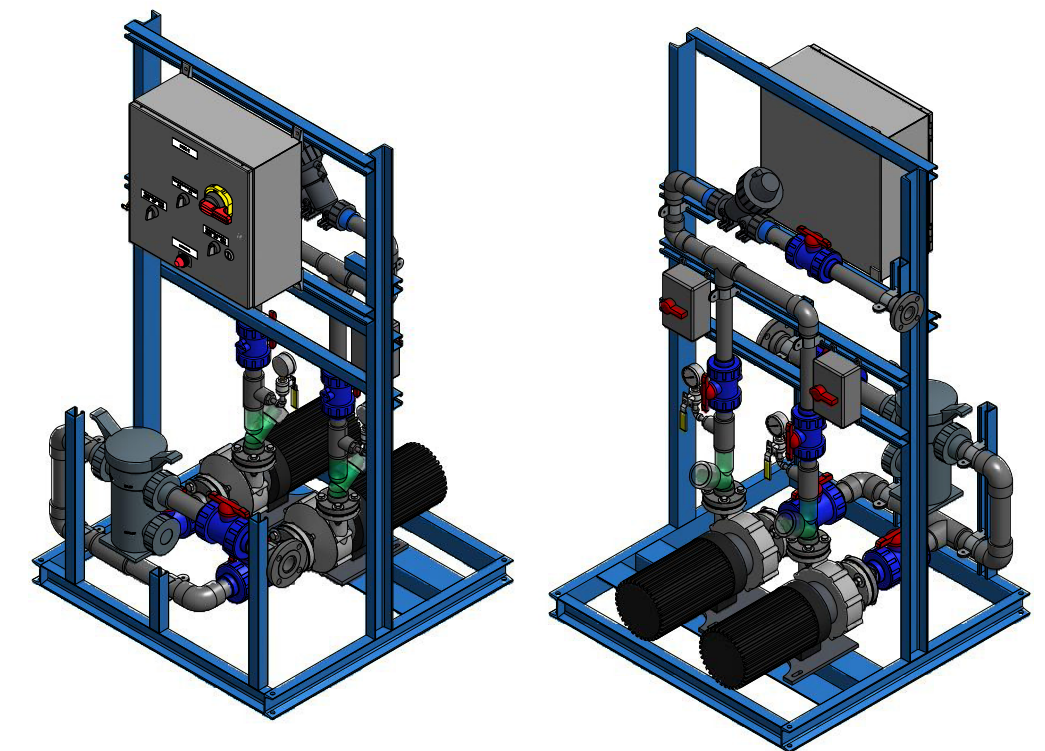
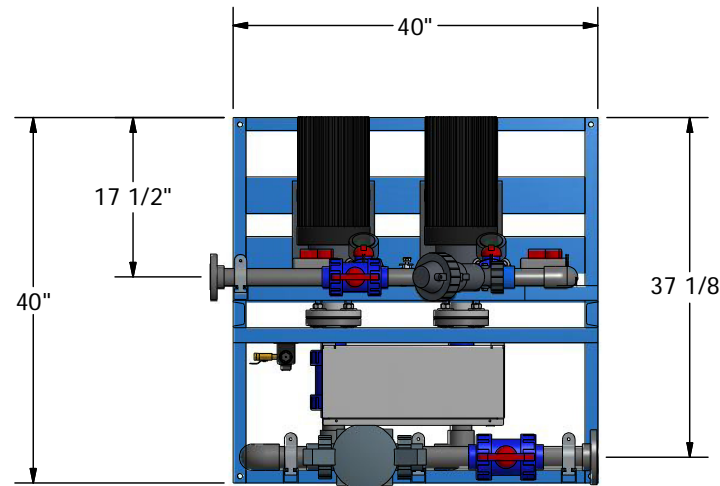


CONSTRUCTION NOTES:

- THE SATURATED PUMP SYSTEM WILL BE SKID MOUNTED, PRE-PIPED AND WIRED PER THE FOLLOWING.
- THE LOW CARBON STEEL SKID TO BE POWER TOOL CLEANED TO SSPC-SP-3 AND PRIMED WITH DUPONT 10-2970. A 3-5 MIL FINISH COAT OF DUPONT CORLAR 2.1 SAFETY BLUE TO BE APPLIED OVER THE PRIME COAT.
- BRINE PUMPS PROVIDED PER THE FOLLOWING:
  - QTY REQUIRED: TWO (2) - 2 X 100%
  - PUMP TYPE: MAGNETIC DRIVE CENTRIFUGAL
  - PUMP MATERIAL: POLYPROPYLENE
  - PERFORMANCE: 25 GPM AT 70' TDH
  - SUCTION TYPE: FLOODED
  - MOTOR: 2 HP 460V 60HZ 3PH TEFC
- ALL OF THE SKID MOUNTED PIPING TO BE SCH 80 PVC WITH SCH 80 PVC FITTINGS. SOME FITTING MAYBE THREADED. ALL PRESSURE GAUGE PIPING TO BE SCH 40 304 STAINLESS STEEL
- ALL MANUAL ISOLATING VALVES AND CHECK VALVES TO BE PROVIDED PER THE PROJECT P&ID.
- A 2" PVC BASKET STRAINER TO BE PROVIDED O THE SUCTION SIDE OF THE BRINE PUMP SKID.
- ALL PUMP MOTORS TO BE PROVIDED WITH NEMA 4X MOTOR CONTROL CENTER. ALL OF THE REQUIRED MOTOR STARTERS TO BE PROVIDED .
- ALL EXTERIOR HIGH VOLATGE WIRING TO BE CONTAINED IN EMT STEEL CONDUIT. WATER TIGHT FLEXIBLE CONDUIT MAYBE USED ON RUNS 3' OR SHORTER
- ALL PIPING FASTNERS TO BE STAINLESS STEEL.
- WEIGHTS:
  - SHIPPING: 600 LBS
  - OPERATING: 650 LBS
- THE COMPLETE PUMP SKID WILL HAVE A FULL HYDRO- TEST BEFORE SHIPPING AT 100 PSIG FOR 2 HOURS TO INSURE THE SKID TO BE LEAK FREE BEFORE SHIPPING. IF MINOR LEAKS OCCUR AFTER START-UP MARLO WILL NOT CONSIDER THOSE TO BE COVERED UNDER THE NORMAL EQUIPMENT WARRANTY.
- THE COUNTRY OF ORIGIN FOR ALL ITEMS SUPPLIED BY MARLO OR MARLO SUB-SUPPLIERS WILL BE AT MARLO'S OPTION UNLESS SPECIFICALLY NOTED ON THIS SUBMITTAL DOCUMENT
- ALL DIMENSIONS ARE PLUS OR MINUS 1".
- SKID DOES NOT MEET ANY SEISMIC OR WIND LOAD REQUIREMENTS.
- SKID IS DESIGNED FOR AN INDOOR INSTALLATION.

ITEM	DESCRIPTION	CONNECTION SCHEDULE				
		LOCATION	MAX. FLOW	SIZE	CONNECTION	MATERIAL
A	FROM BRINE STORAGE TANK 10' MAX.	BRINE PUMP SKID	25 GPM	2"	150# FLANGED	SCH 80 PVC
B	TO WATER SOFTENER BRINE TANK	BRINE PUMP SKID	25 GPM	1 1/2"	150# FLANGED	SCH 80 PVC



**Note:** Typical design for most brine pump applications. Consult factory for special requirements.

REVISIONS			
NO.	DATE	BY	REMARKS



DUPLX ALTERNATING BRINE PUMP SKID GENERAL ARRANGEMENT			
FRAC.	DEC.	FILE ID.	
DRN.	MARK	SCALE	SHEET 1 OF 1
APPD.	SPL	DRAWING NO.	
DATE	7/31/2014		