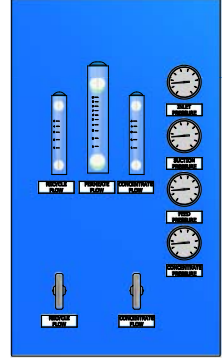
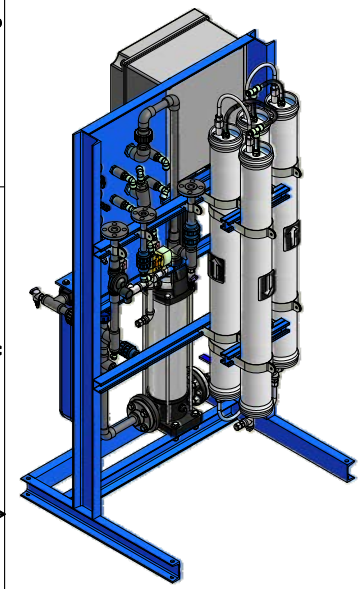
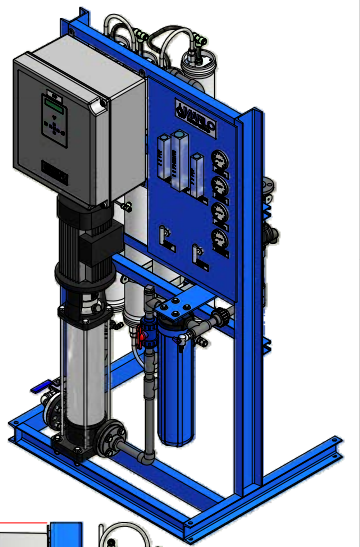
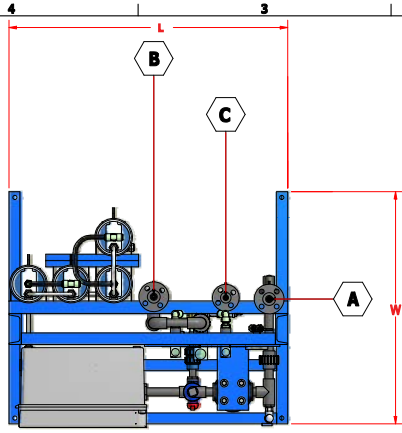


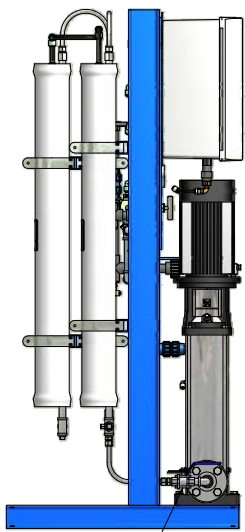
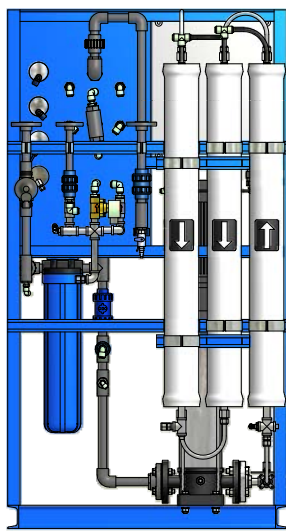
CONNECTION SCHEDULE				
ITEM	DESCRIPTION	MAX FLOW	SIZE	MATERIAL
A	RAW WATER INLET	GPM	PLG	SCH 80 PVC
B	PERMEATE OUTLET	GPM	PLG	SCH 80 PVC
C	DRAIN	GPM	PLG	SCH 80 PVC



INSTRUMENT PANEL VIEW

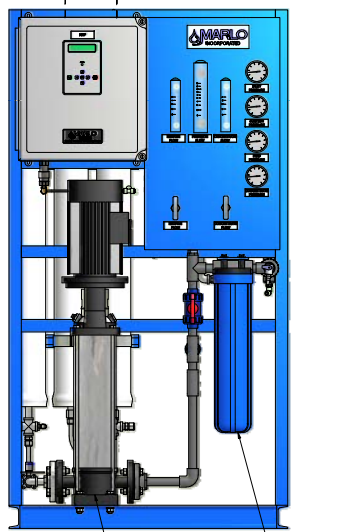


DIMENSION TABLE	MRO-
L = _____	
W = _____	
H = _____	

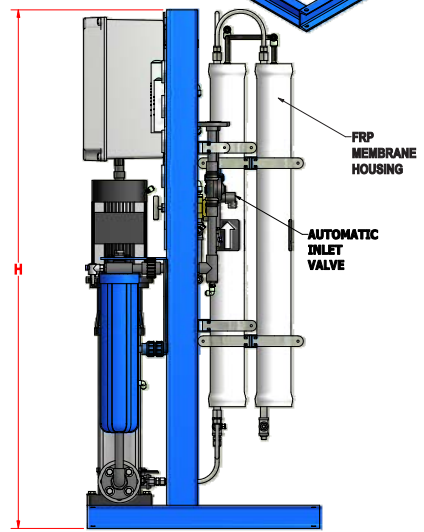


MEMBRANE FEED THROTTLE VALVE

120V/60Hz/1Ph



HIGH PRESSURE PUMP
5 MICRON PREFILTER



FRP MEMBRANE HOUSING
AUTOMATIC INLET VALVE

REVISIONS			
NO.	DATE	BY	REMARKS



MRO-6V RO SYSTEM GENERAL ARRANGEMENT			
PROJ. NO.	DATE	SCALE	SHEET 1 OF 1