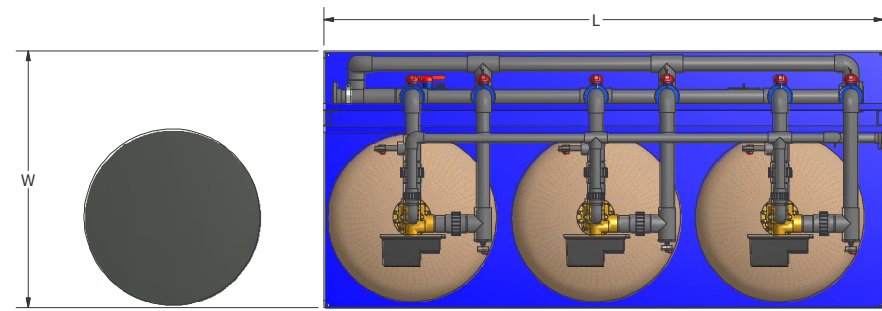
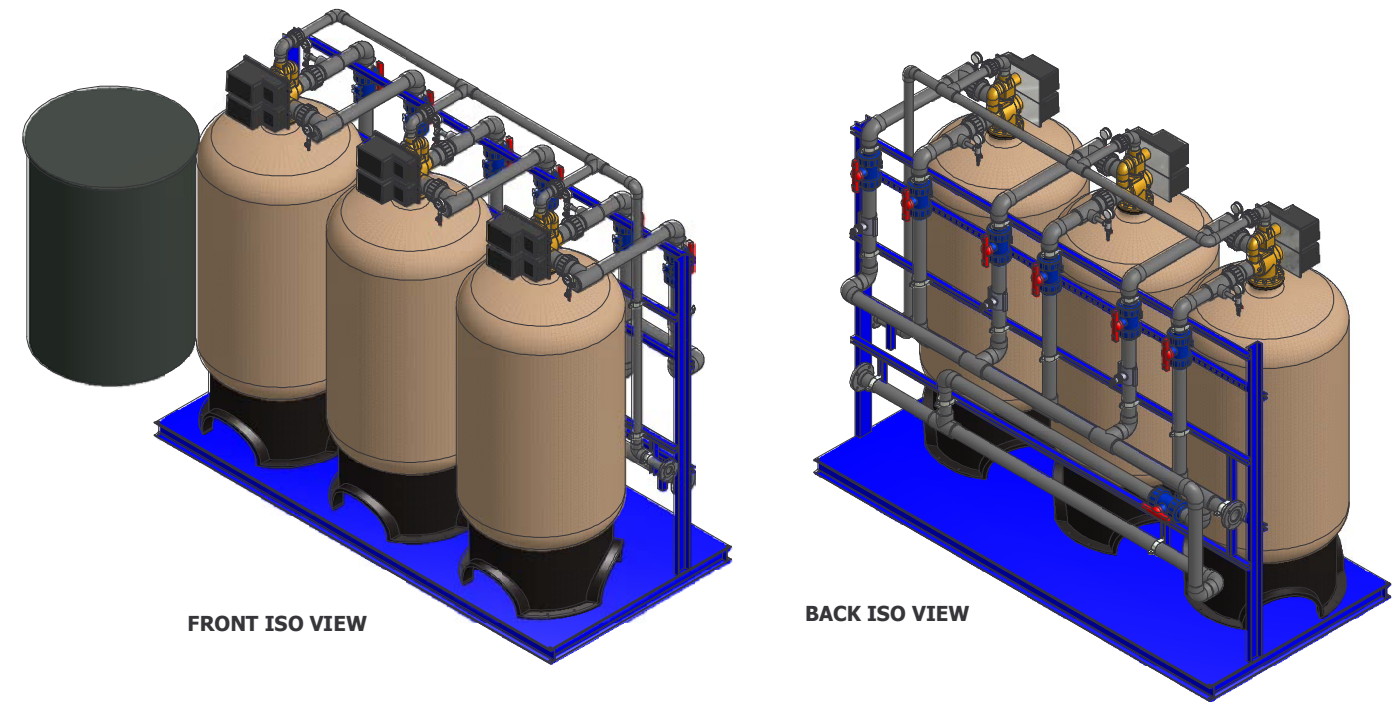


DIMENSION TABLE		MGT-_____
L= _____	RT= _____	
W= _____	BT= _____	
H= _____		

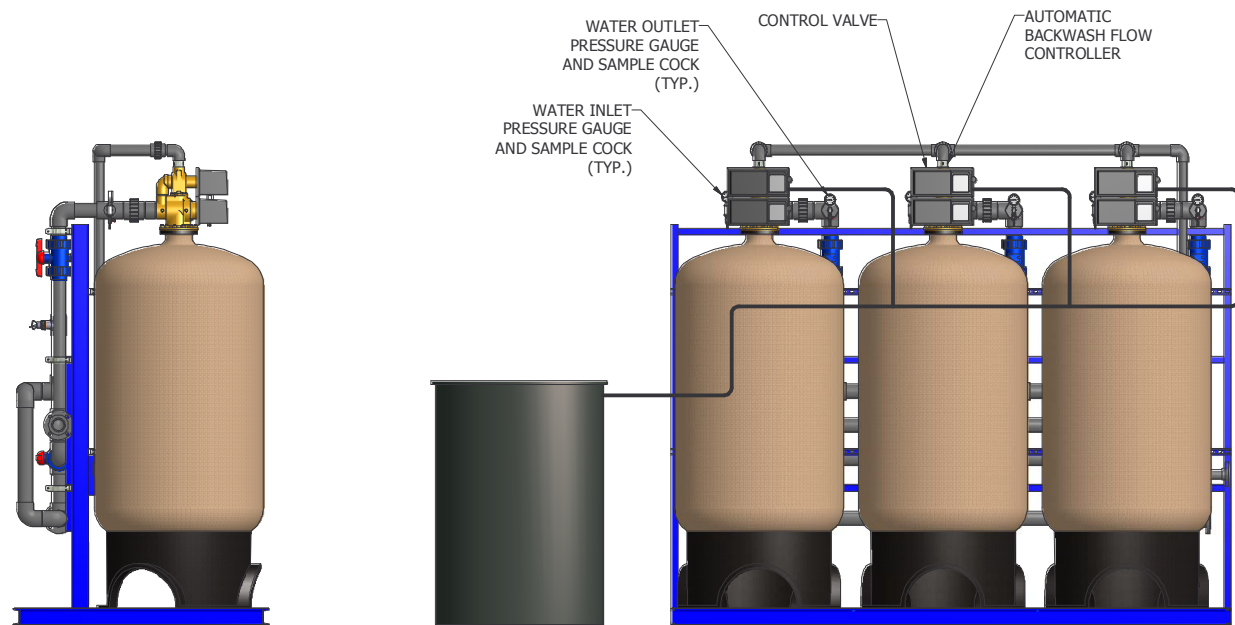


PLAN VIEW



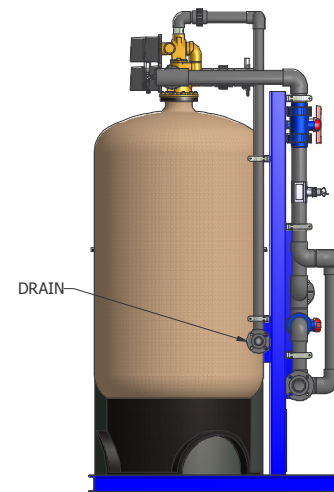
FRONT ISO VIEW

BACK ISO VIEW

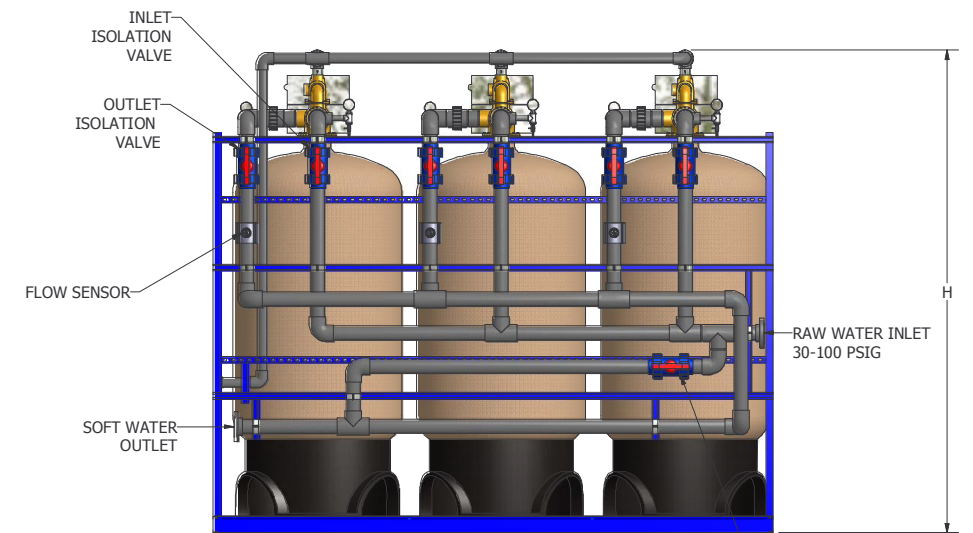


FRONT VIEW

LEFT SIDE VIEW



RIGHT SIDE VIEW



BACK SIDE VIEW

5-232

REVISIONS			
NO.	DATE	BY	REMARKS



MGT TRIPLEX PARALLEL WATER SOFTENER SKID MOUNTED SYSTEM			
FRAC.	DEC.	FILE ID.	
DRN.	AJGG	SCALE	SHEET 1 OF 1
APPD.		DRAWING NO.	
DATE	4/21/2009	MGT TRIPLE PAR SKID	REV.