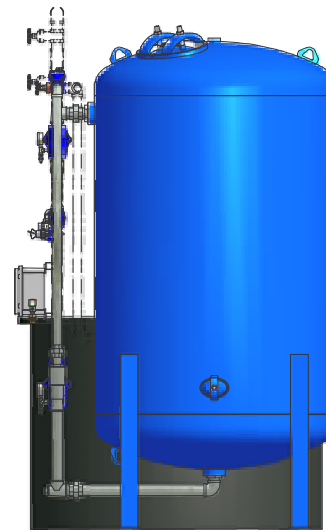
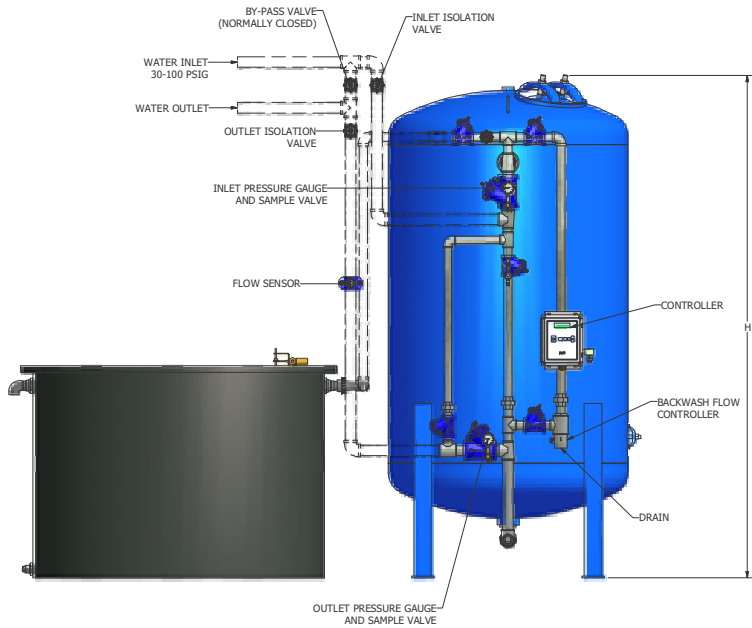
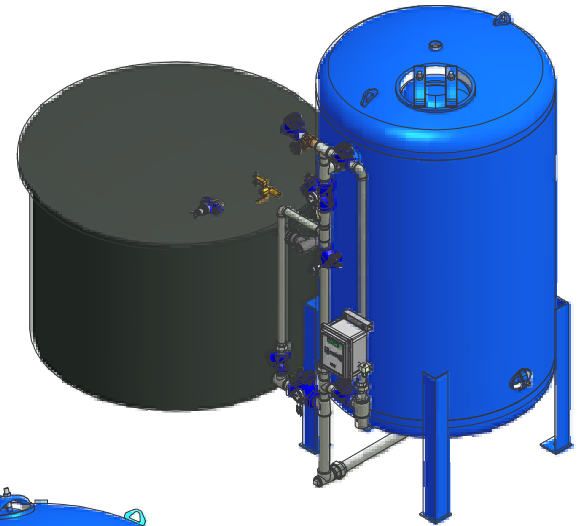


BRINE TANK  
BT DIAMETER

MINERAL TANK  
MT DIAMETER



NOTES:  
ALL PIPING, FITTINGS, ETC SHOWN WITH DASHED LINES ARE PROVIDED BY OTHERS.  
GENERAL PLUMBING CONNECTIONS ARE SHOWN FOR CLARITY ONLY.  
MINERAL TANKS SMALLER THAN 36" DIAMETER HAVE HANDHOLES.

DIMENSION TABLE	MHC-_____
L= _____	MT= _____
W= _____	BT= _____
H= _____	

PIPE SIZES	
INLET= _____	DRAIN= _____
OUTLET= _____	INJECTOR= _____

REVISIONS		
NO.	DATE	REMARKS



MHC SINGLE WATER SOFTENER MX-II GENERAL ARRANGEMENT			
FRAC: _____	DEC: _____	FILE ID: _____	SCALE: _____
DRN: Anthony	SCALE: _____	SHEET 1 OF 1	
APPD: _____	DRAWING NO: MHC SINGLE MX-II		
DATE: 9/15/2009			