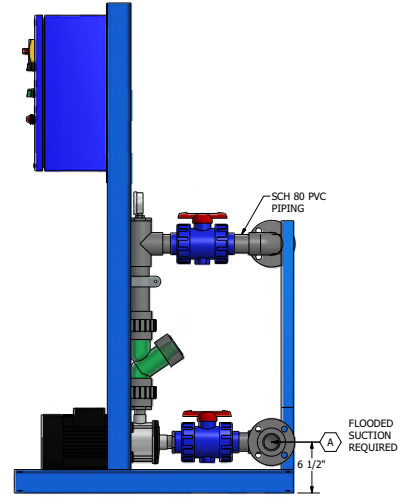
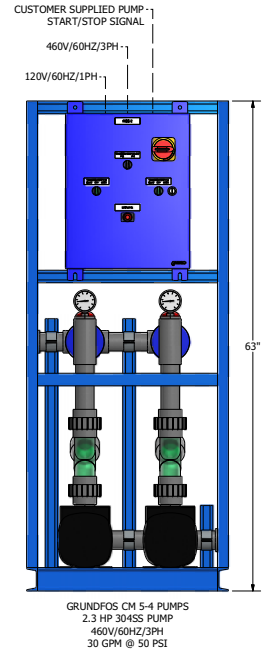
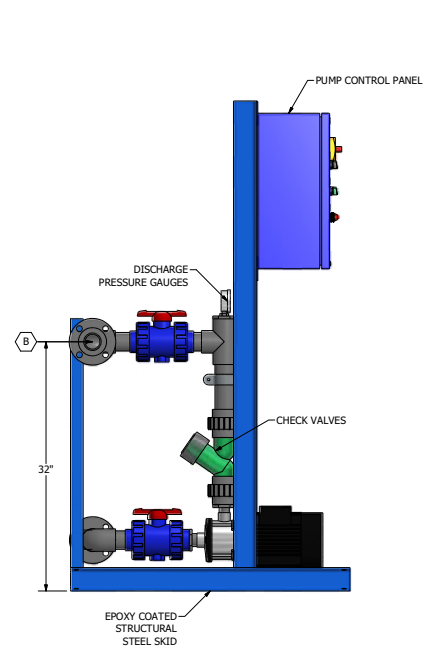
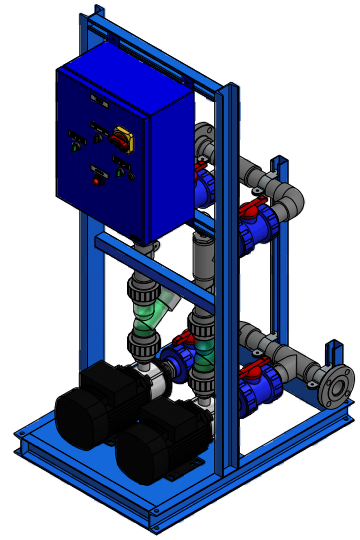
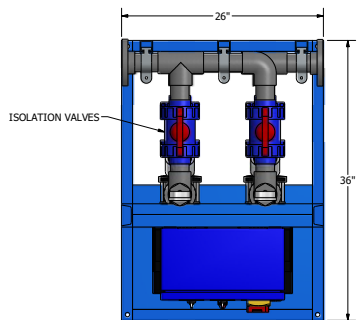


CONNECTION SCHEDULE					
ITEM	DESCRIPTION	LOCATION	MAX FLOW	SIZE	MATERIAL
A	PUMP SUCTION	TRANSFER PUMP SKID	GPM	" 150# FLG	SCH 80 PVC
B	PUMP DISCHARGE	TRANSFER PUMP SKID	GPM	" 150# FLG	SCH 80 PVC



DIMENSION TABLE	MPS- _____
L= _____	
W= _____	
H= _____	

REVISIONS			
NO.	DATE	BY	REMARKS



DUAL PUMP SKID GRUNDFOS 304SS 2.3HP-460V GENERAL ARRANGEMENT			
PROJ: _____	DES: _____	FILE ID: _____	SCALE: _____
DRAWN: _____	SCALE: _____	DRAWING NO. _____	SHEET 1 OF 1
APP'D: _____	DATE: _____		