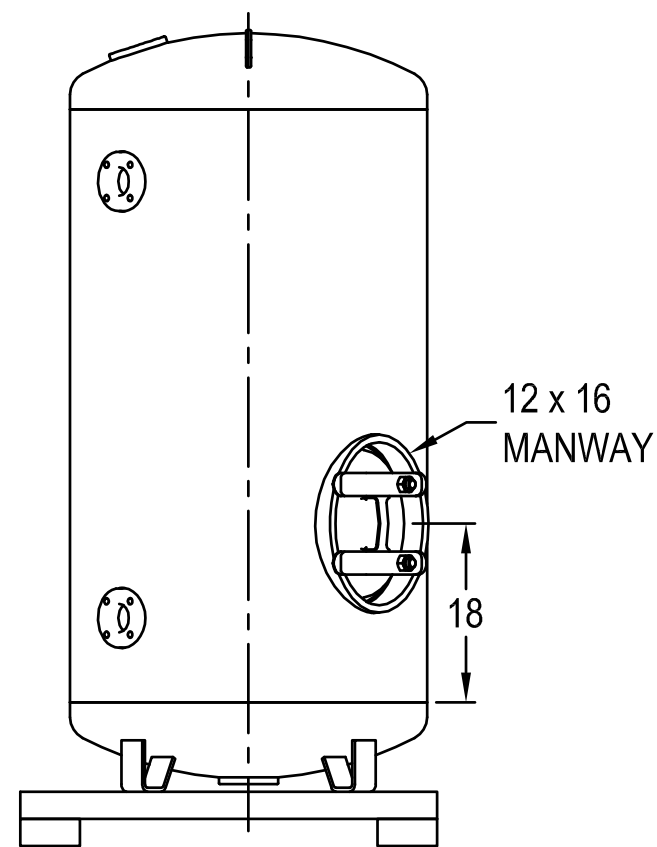
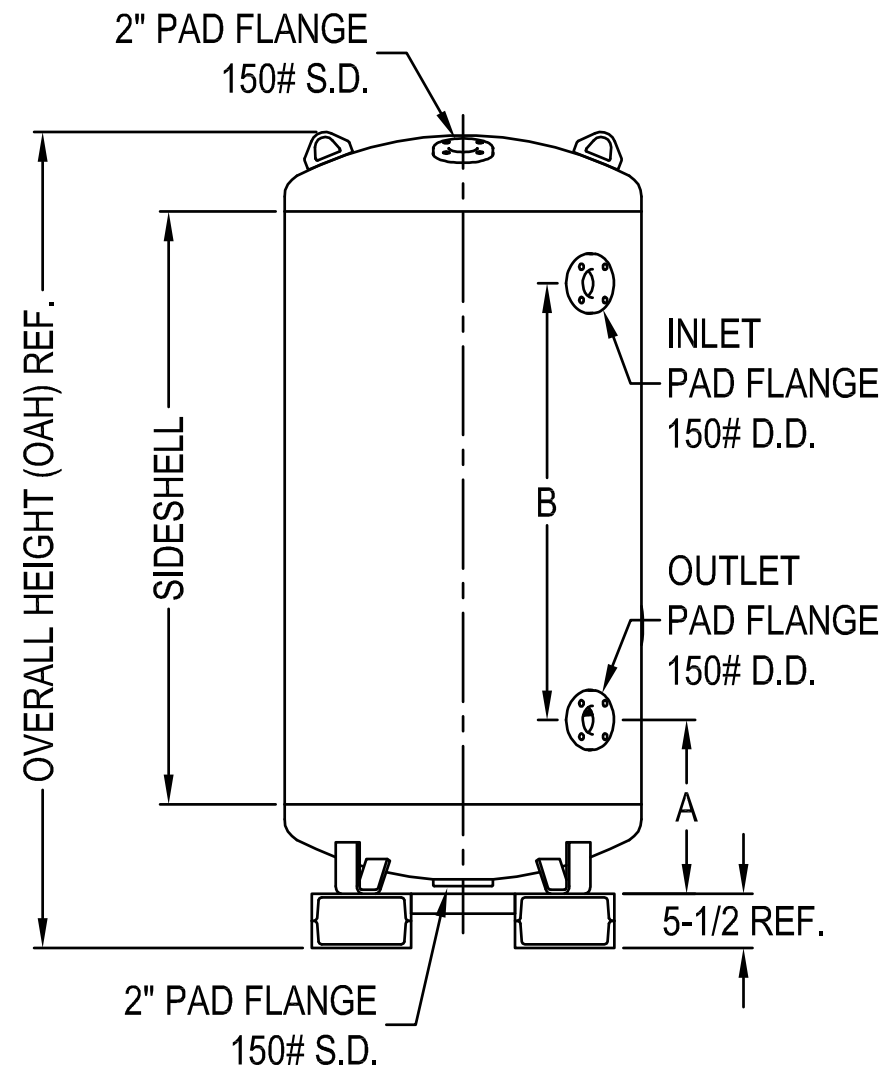


DIMENSIONAL CHART											
DIA.	SIDE SHELL	INLET / OUTLET	A	B	C	D	E	OAH	VOLUME (US GAL.)	HEAD VOLUME INCL. SF (cu. ft.)	MODEL #
24"	60"	2" PAD	13.5"	44"	28.5"	30"	0"	75"	124	0.8	PEDI2460
30"	60"	2" PAD	16"	44"	30.5"	36"	8"	79"	205	1.9	PEDI3060
36"	60"	2" PAD	17.5"	44"	30.5"	42"	11"	82"	302	3.0	PEDI3660
42"	60"	3" PAD	18.5"	44"	30.5"	48"	14"	84"	420	4.6	PEDI4260
48"	60"	3" PAD	20.5"	44"	30.5"	54"	17"	88"	567	7.0	PEDI4860



MARLO

PORTABLE EXCHANGE (PEDI) TANKS
GENERAL ARRANGEMENT